



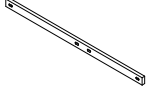
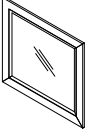
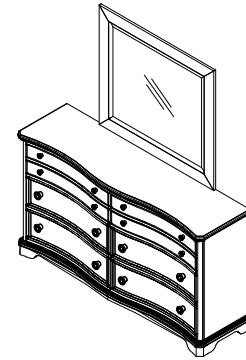


## Components and Hardware List

$\text{Ø}1/4" \times 1-1/2"$ Long Allen-Head Bolt  A 8 pcs.	$\text{Ø}1/4 \times 19 \times 2\text{mm}$ Flat Washer  B 8 pcs.	$\text{Ø}1/4" \times 12 \times 3\text{mm}$ Spring Washer  C 8 pcs.
4mm Allen Wrench  D 1 pc.	Mirror Support  E 2 pcs.	Mirror Frame  F 1 pc.



21561 & 21761  
LANDSCAPE MIRROR

Be sure to check all packing material carefully for small parts, which may have come loose inside the carton during shipment. To prevent possible scratches or damage, this furniture must be assembled by two people.

Step 1. Place the Mirror face down on a soft surface such as a blanket or carpet.

Step 2. Attach both Mirror Supports to the back of the Mirror using the Allen-Head Bolts (A), Spring Washers (C) and Flat Washers (B). Tighten with the Allen Wrench (D).

Step 3. Using two people, carefully move the Dresser to be a few inches from the wall where the Dresser and Mirror will be used.

Step 4. Carefully place the Mirror on the top back edge of the Dresser, while one person holds the Mirror in position, and the other person attaches at the back using the same Bolts and Washers as before. Tighten with the Allen Wrench.

Step 5. Carefully move the Dresser and Mirror back to near the wall. The assembly is now complete.

