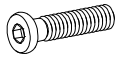

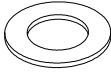
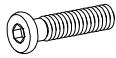
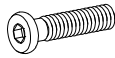
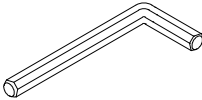
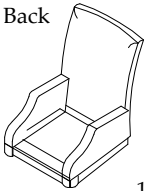
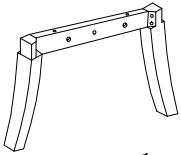

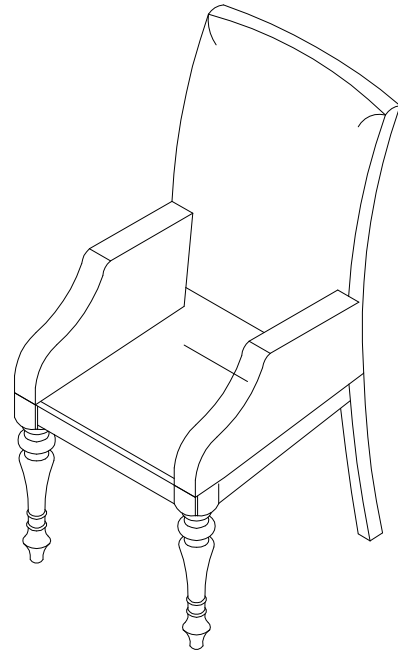


Components and Hardware List (for one chair)

<p>Ø5/16" × 2-1/4" Long Allen-Head Bolt</p>  <p>A 6 pcs.</p>	<p>Ø5/16" Spring Washer</p>  <p>B 12 pcs.</p>	<p>Ø5/16" Flat Washer</p>  <p>C 12 pcs.</p>
<p>Ø5/16" × 1-3/4" Long Allen-Head Bolt</p>  <p>D 2 pcs.</p>	<p>Ø5/16" × 3-1/4" Long Allen-Head Bolt</p>  <p>E 4 pcs.</p>	<p>5mm Allen Wrench</p>  <p>F 1 pc.</p>
<p>Chair Back</p>  <p>G 1pc.</p>	<p>Back Legs Frame</p>  <p>H 1pc.</p>	<p>Front Legs</p>  <p>I 2 pcs.</p>



21558 & 21758
Upholstered Arm Chair

Be sure to check all packing material carefully for small parts, which may have come loose inside the carton during shipment. Separate, count and check all parts against the Components and Hardware List above. Failure to use the correct length bolts in the proper locations may result in an unsafe product and could also cause damage to the parts being assembled.

Assemble the Front Legs (I) to the Chair Seat using the 2-1/4" long Bolts (A), and the Washers as shown. Assemble the Back Legs Frame (H) to the back of the Chair Seat using the 1-3/4" long Bolts (D) into the middle of the back, the 2-1/4" long Bolts into the bottom back edge and the 3-1/4" long Bolts (E) into the back corners, using the Washers as shown.

Set the assembled Chair upright on a flat surface to level chair. Reach underneath the Chair Seat and tighten all Bolts using the Allen-Wrench (F).

