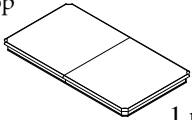


Components packed with the Dining Table TOP

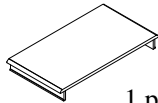
Table Top



A

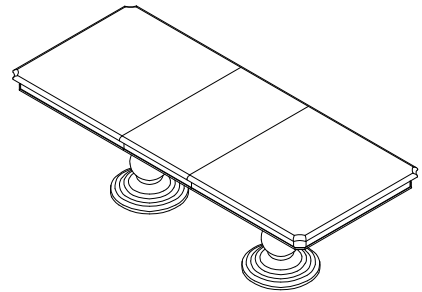
1 pc.

Table Top Leaf



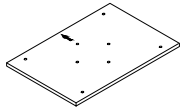
B

1 pc.



Components and Hardware packed with the Dining Table BASE

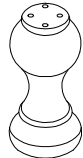
Bridge Panel



C

2 pcs.

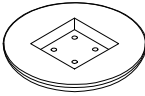
Pedestal Column



D

2 pcs.

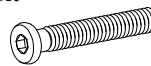
Bottom Frame



E

2 pcs.

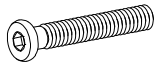
Ø5/16-18 × 1-1/2" Long Allen-Head Bolt



F

16 pcs.

Ø5/16-18 × 3-1/4" Long Allen-Head Bolt



G

8 pcs.

Ø5/16" × 12 × 3mm Spring Washer



H

24 pcs.

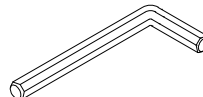
Ø5/16" × 19 × 2mm Flat Washer



I

24 pcs.

5mm Allen Wrench



J

1 pc.

21542 Double Pedestal Dining Table TOP
21543 Double Pedestal Dining Table BASE

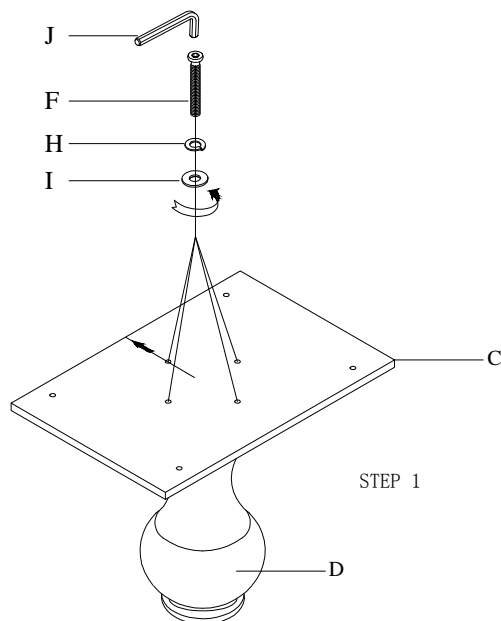
21742 Double Pedestal Dining Table TOP
21743 Double Pedestal Dining Table BASE

Be sure to check all packing material carefully for small parts, which may have come loose inside the carton during shipment. Separate, count and check all parts against the Components and Hardware List above. Failure to use the correct length bolts in the proper locations may result in an unsafe product and could also cause damage to the parts being assembled.

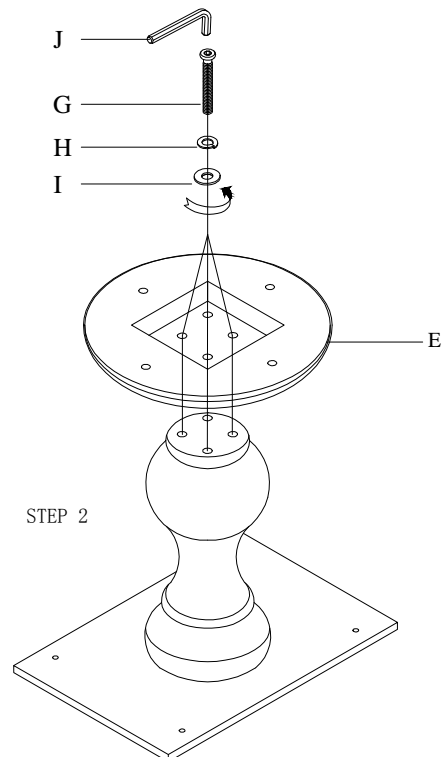
ASSEMBLY STEPS:

Note: To prevent possible damage and scratches, this table should be assembled on a clean, soft surface such as a blanket or carpet.

1. Attach the two Bridge Panels (C) to the top end of the Pedestal Columns using the 1-1/2" Long Allen-Head Bolts (F), Spring Washers (H) and Flat Washers (I). Tighten with the Allen Wrench (J).
2. Turn the assembled Columns and Bridge Panels upside down and attach the Bottom Frames (E) to the Columns using the 3-1/4" Long Bolts (G), and the same Washers as previous Step. Tighten with the Allen Wrench.



STEP 1

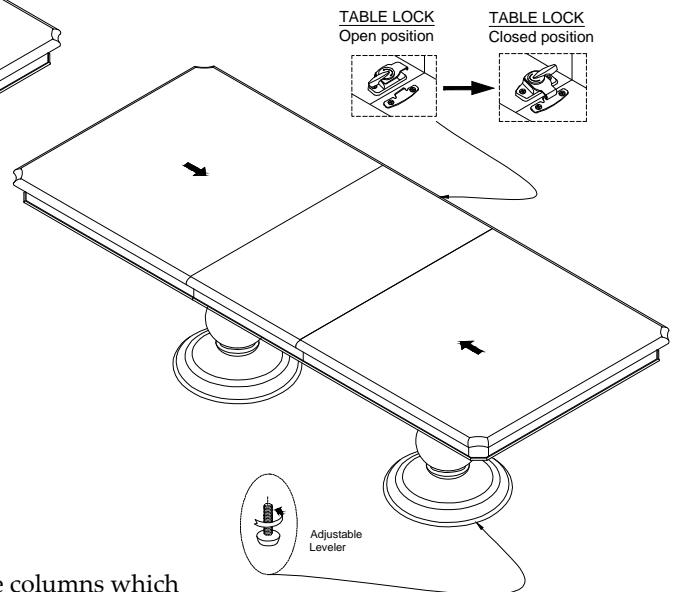
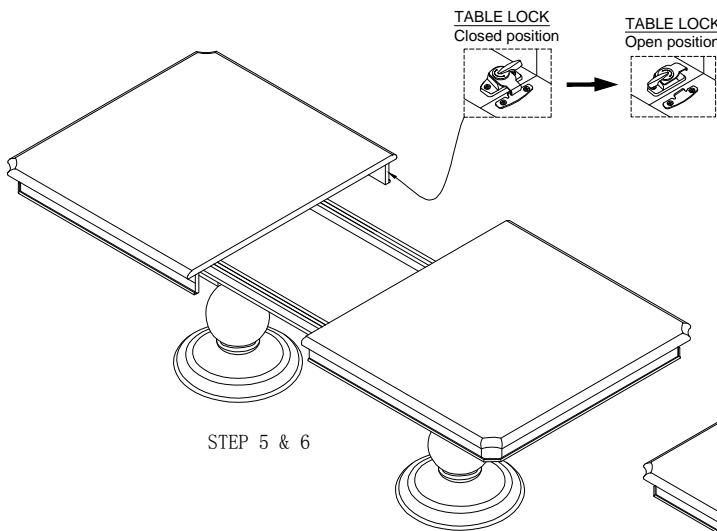
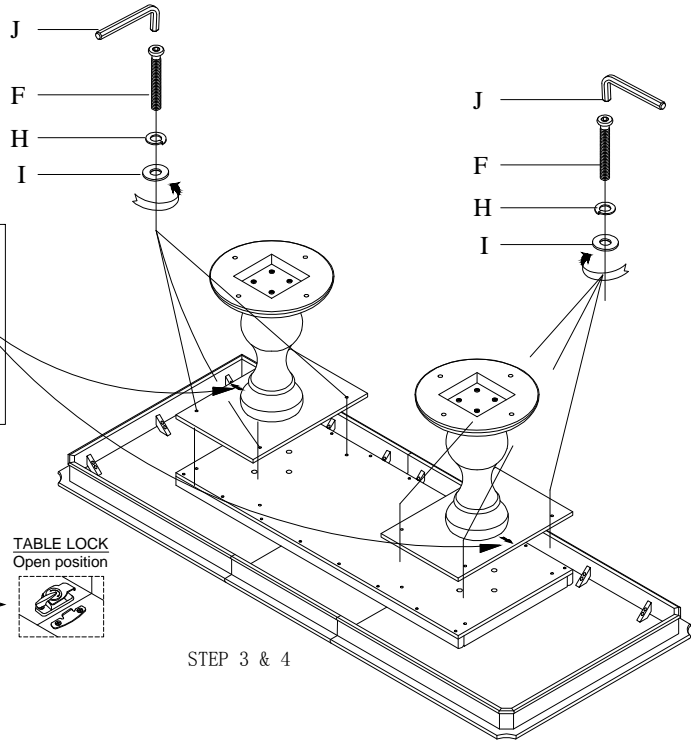


STEP 2

- Carefully place the Table Top upside down.
- Position both Columns and Base Frames on the bottom side of the Table Top and attach using the 1-1/2" long Bolts and the same Washers as before. Tighten with the Allen Wrench.
- Using two people, carefully lift the completed table and set upright.
- To install or remove the Leaf, reach underneath the sides of the Table Top and unlock the catches. Pull the ends of the Table Top apart, remove or add the leaf, slide the Table Top back together and re-lock the catches underneath.

Note: To prevent undue stress on the table and legs, if moving table, always use two people and carry the table from one location to the other.

Note: When attaching the two assembled Table Bases to the bottom side of the Table Top, orient so the ARROW label that is affixed to the Bridge Panels are pointing towards the end of the Table Top.



There are levelers installed underneath the columns which can be used to compensate for uneven flooring, if needed.