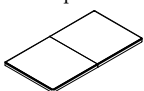
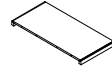

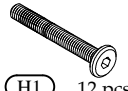


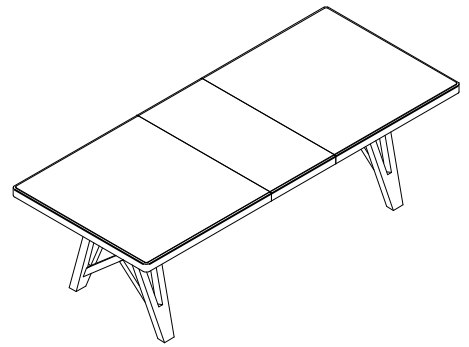



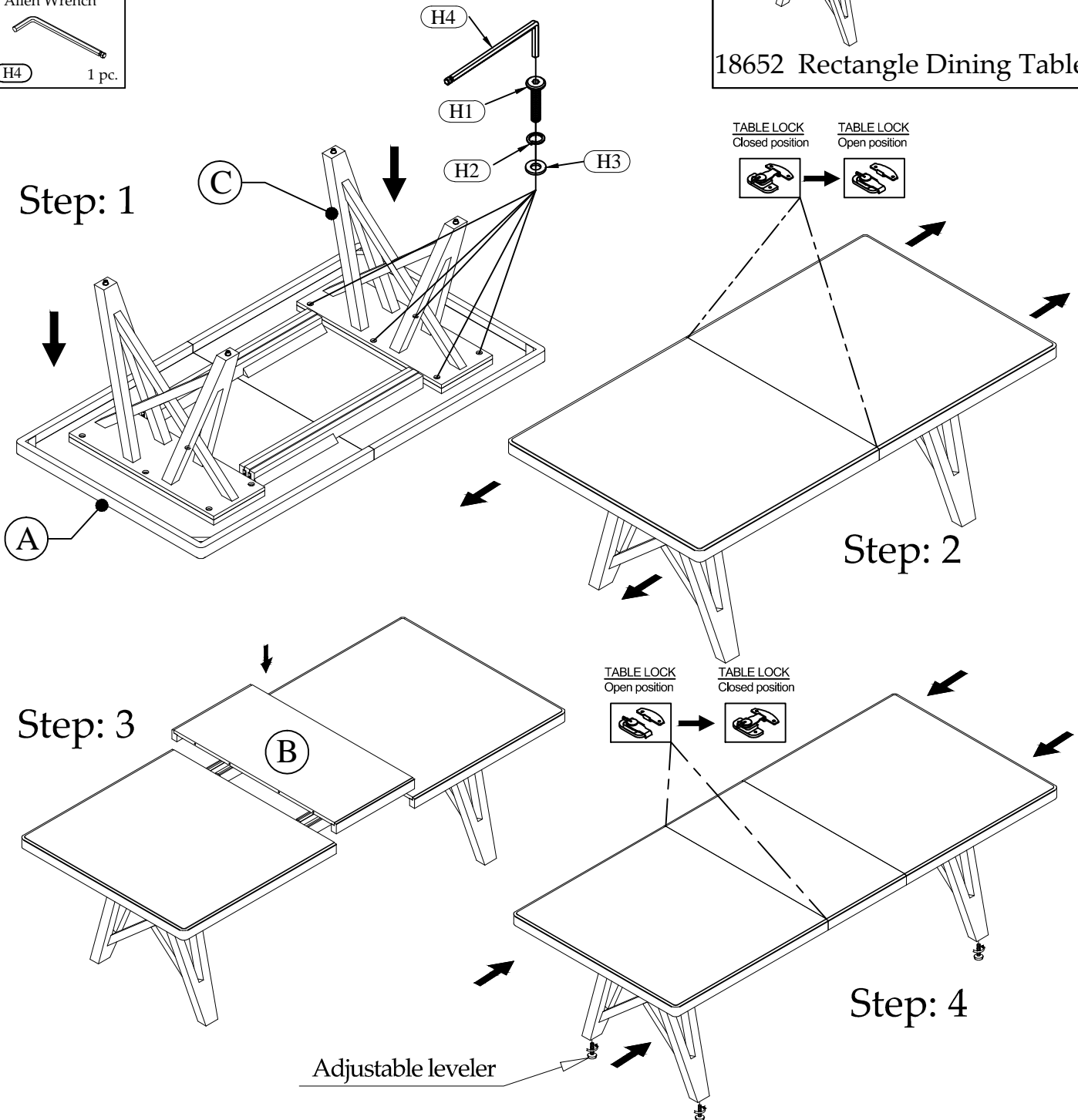
Components and Hardware List

<p>Table Top</p>  <p>(A) 1 pc.</p>	<p>Table Leaf</p>  <p>(B) 1 pc.</p>	<p>Leg</p>  <p>(C) 2 pcs.</p>	<p>Ø5/16" x 1-1/4" Allen Head Bolt</p>  <p>(H1) 12 pcs.</p>	<p>Ø5/16" Spring Washer</p>  <p>(H2) 12 pcs.</p>	<p>Ø5/16" x Ø19mm Flat Washer</p>  <p>(H3) 12 pcs.</p>
--	--	--	--	---	---



18652 Rectangle Dining Table

<p>5 mm Allen Wrench</p>  <p>(H4) 1 pc.</p>
--



Be sure to check all packing material carefully for small parts, which may have come loose inside the carton during shipment. To prevent possible scratches and damage, this furniture must be assembled by two people on a soft surface such as a blanket or carpet.

Note: To prevent undue stress on the table and legs, if moving table, always use two people and carry the table from one location to the other.