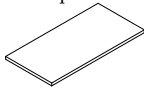
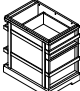
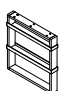
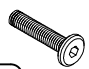
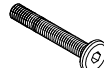



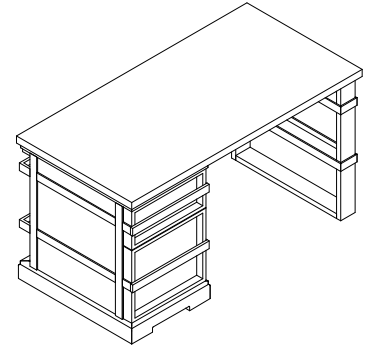


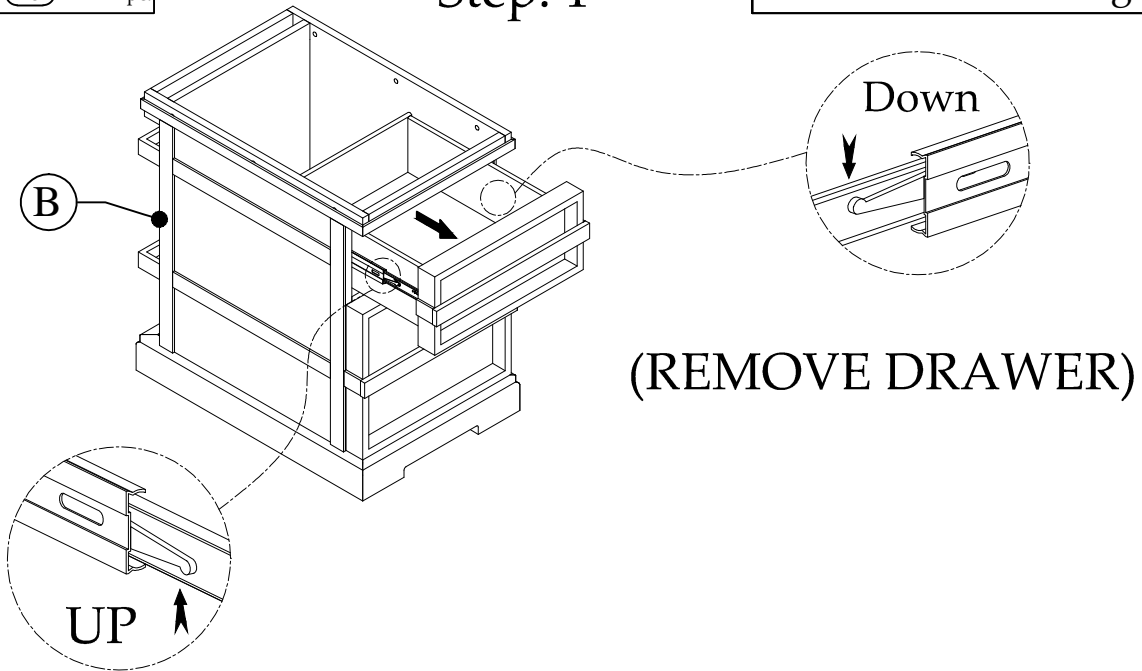
Components and Hardware List

<p>Desk Top</p>  <p>(A) 1 pc.</p>	<p>Chest</p>  <p>(B) 1 pc.</p>	<p>Side Frame</p>  <p>(C) 1 pc.</p>	<p>Ø5/16" x 1-1/2" Allen Head Bolt</p>  <p>(H1) 6 pcs.</p>	<p>Ø5/16" x 1-3/4" Allen Head Bolt</p>  <p>(H2) 6 pcs.</p>	<p>Ø5/16" Spring Washer</p>  <p>(H3) 12 pcs.</p>
<p>Ø5/16" x Ø19mm Flat Washer</p>  <p>(H4) 12 pcs.</p>	<p>5 mm Allen Wrench</p>  <p>(H5) 1 pc.</p>				

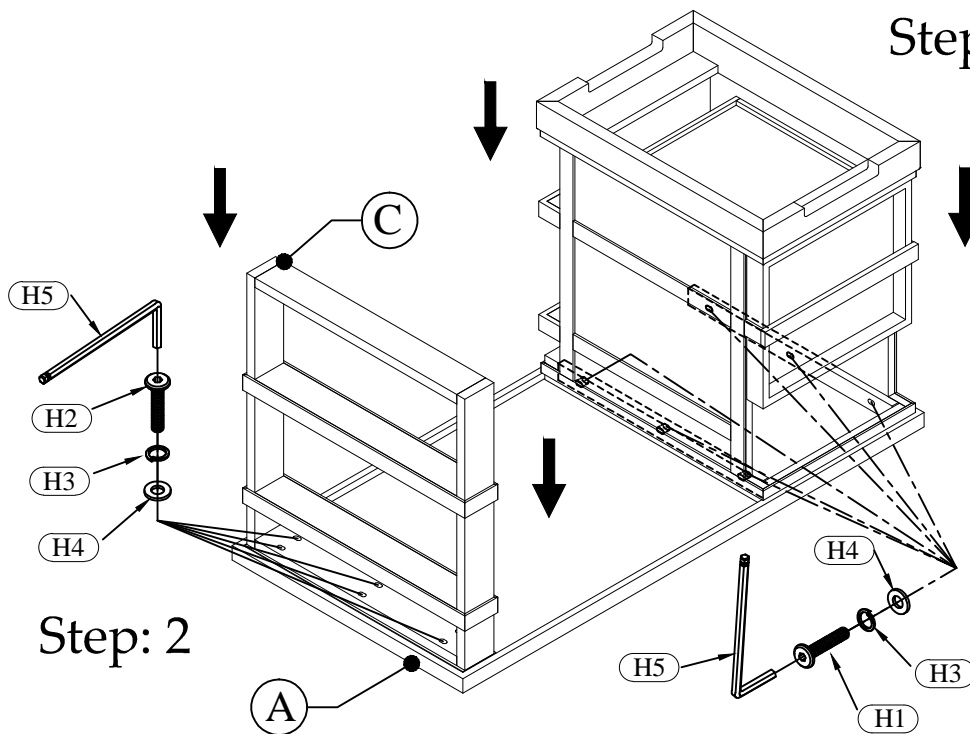


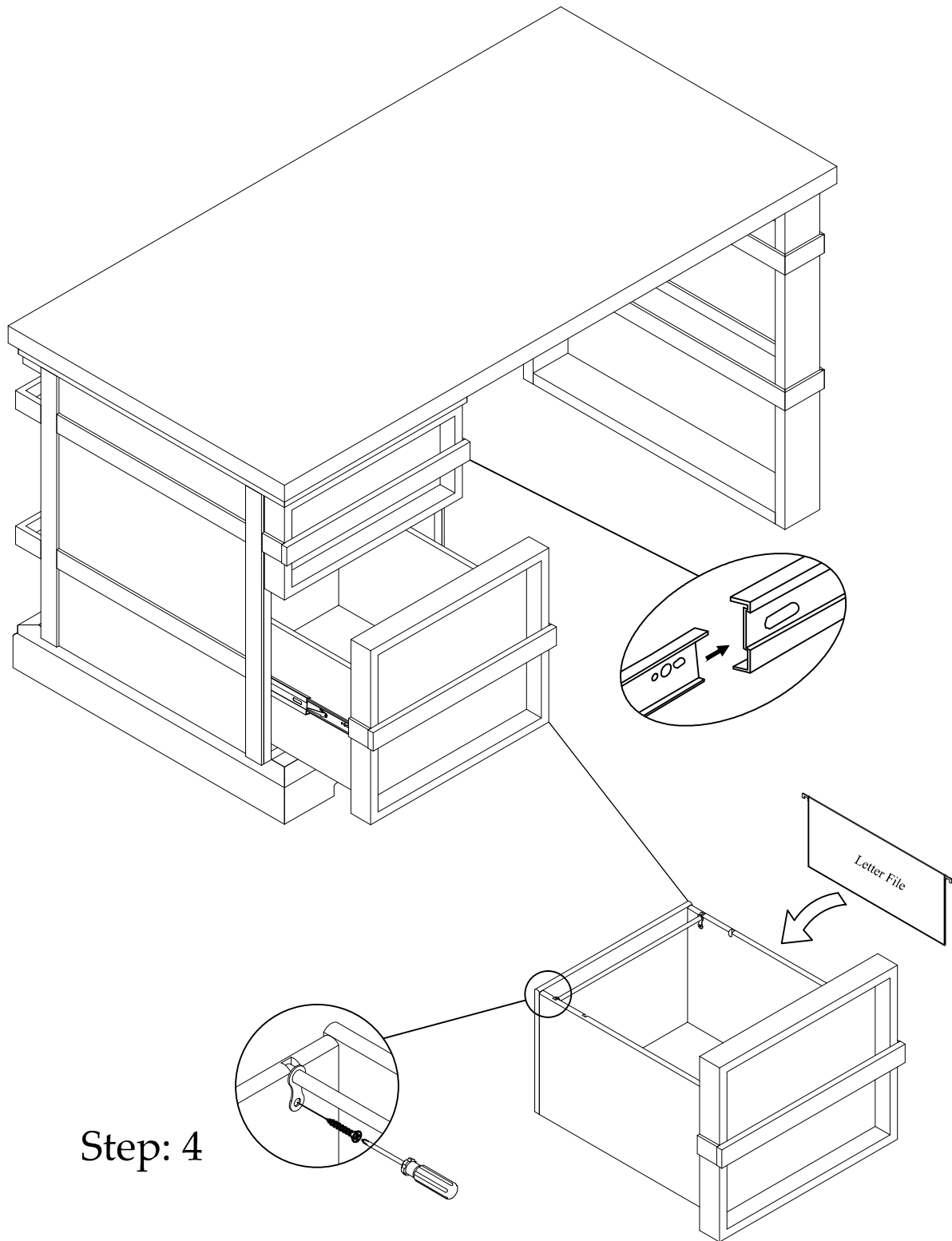
18630+18631 Writing Desk

Step: 1



Step: 3





Step: 4

Be sure to check all packing material carefully for small parts, which may have come loose inside the carton during shipment.

To prevent possible scratches and damage, this furniture must be assembled by two people on a soft surface such as a blanket or carpet.