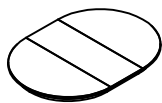


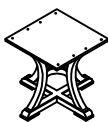
Components and Hardware List

Table Top



(A) 1 pc.

Table Base



(B) 1 pc.

Ø1/4 x 1-1/2"
Allen Head Bolt

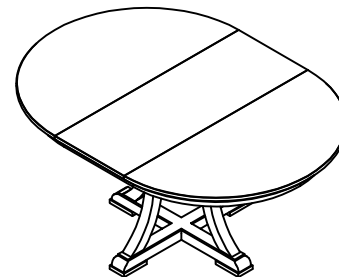


(C) 8 pcs.

1/4" Spring
Washer



(D) 8 pcs.



#17252/17253
Round Dining
Table

1/4" x 18 x 2mm
Flat Washer



(E) 8 pcs.

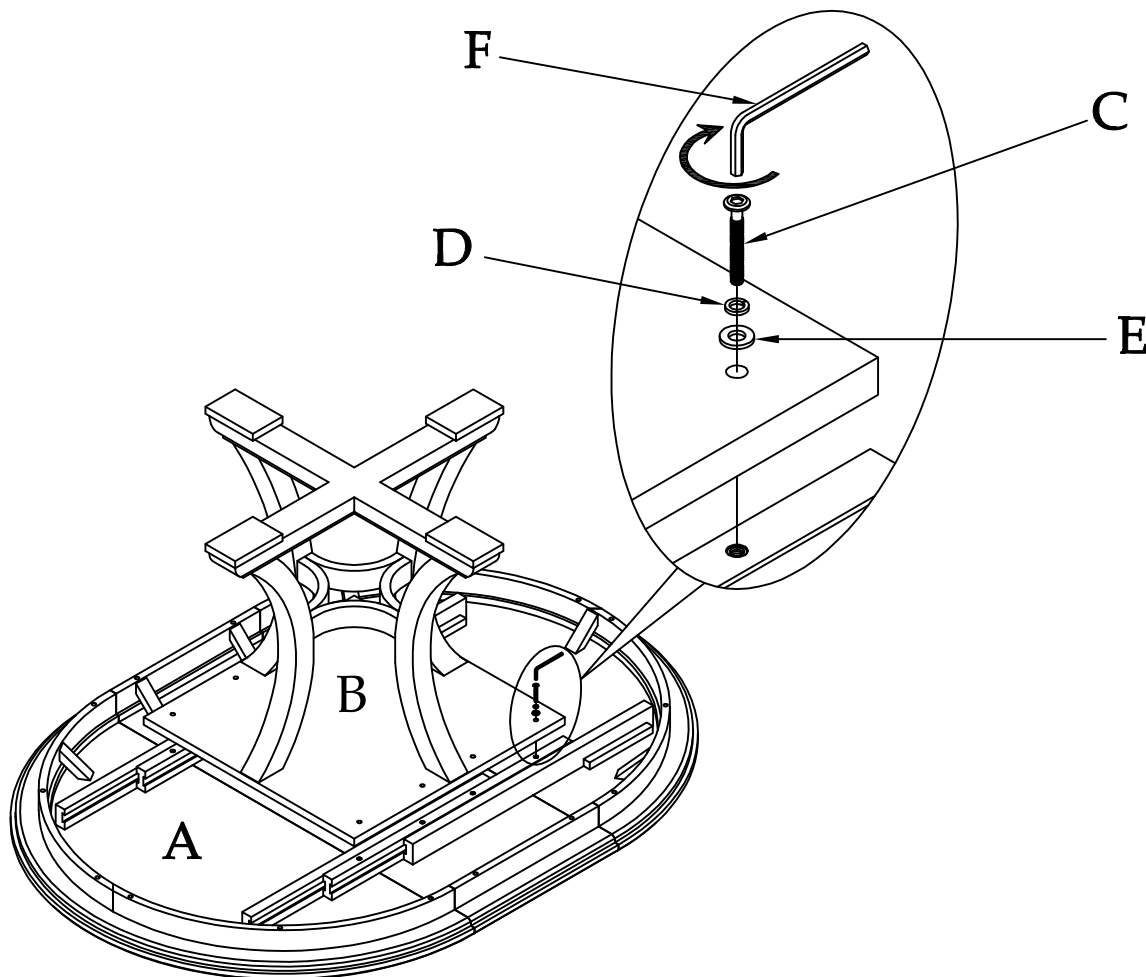
4mm Allen
Wrench

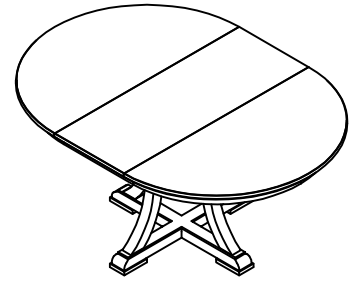


(F) 1 pc.

Be sure to check all packing material carefully for small parts, which may have come loose inside the carton during shipment.

To prevent possible scratches and damage, this furniture should be assembled on a soft surface such as a blanket or carpet.





#17252/17253
Round Dining
Table

