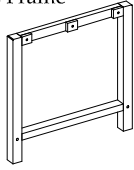


### Components and Hardware List

All Wood Components and all Hardware are packed in the #16510 Base Carton.

This one item is in the #16509 Top Carton.

#### Legs Frame



(A) 2 pcs.

#### Legs Support

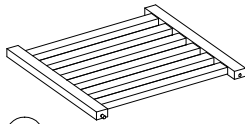


(B1) 2 pcs.



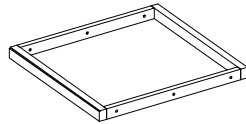
(B2) 2 pcs.

#### Bottom Frame

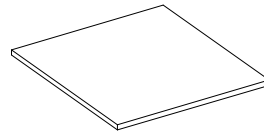


(C) 1 pc.

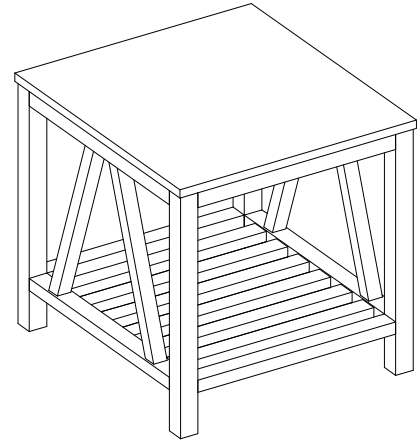
#### Top Frame



(D) 1 pc.



(E) 1 pc.



Item #16509  
Rectangle End Table -- TOP  
Item #16510  
Rectangle End Table -- BASE

Allen Head Bolt  
Ø6 x 40mm



(H1) 14 pcs.

Allen Head Bolt  
Ø6 x 20mm



(H2) 4 pcs.

Spring Washer  
Ø9 x Ø13mm



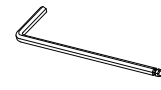
(H3) 18 pcs.

Flat Washer  
Ø6 x Ø13mm



(H4) 18 pcs.

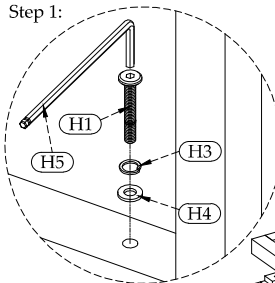
4mm Allen Wrench



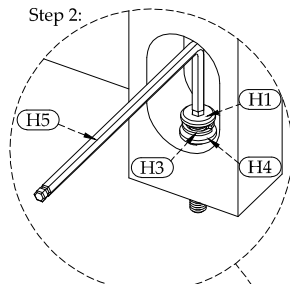
(H5) 1 pc.

Be sure to check all packing material carefully for small parts, which may have come loose inside the carton during shipment. Separate, count and check all parts against the Parts List and Hardware List above. Failure to use the correct length bolts in the proper locations may result in an unsafe product and could also cause damage to the parts being assembled.

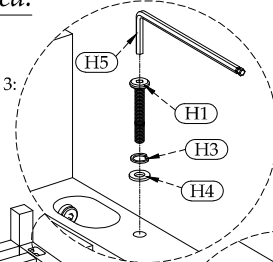
Step 1:



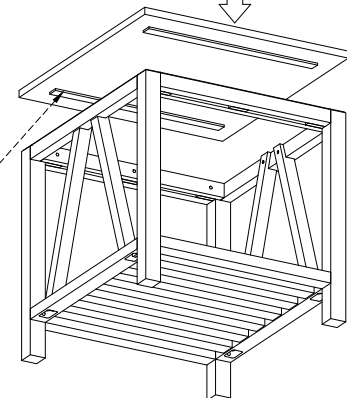
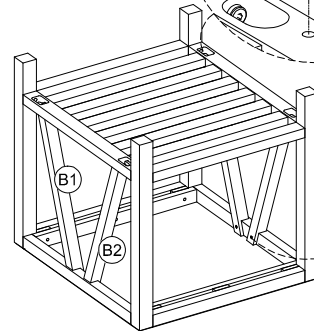
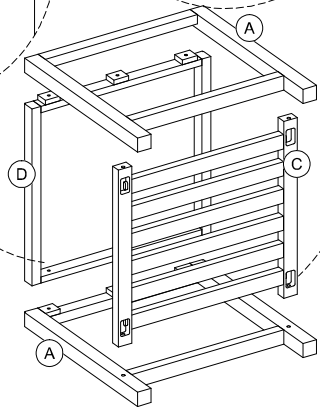
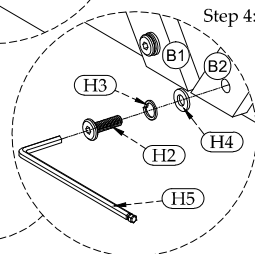
Step 2:



Step 3:



Step 4:



Locator  
Blocks

- Bluestone is a natural, porous, quarried limestone material that can be cut, machined and polished. Each piece of bluestone has unique natural characteristics that affect the color, appearance, and polishing qualities and are not flaws, but add to the natural beauty of bluestone. As with any solid stone product, bluestone is extremely heavy and must be handled with care to avoid damaging the product and to prevent personal injury.
- This stone has been sealed with a wax top coat which can help but may not always prevent the stone from getting etched or tarnished from certain substances. Caution must still be followed to help maintain the natural beauty of the surface. Take care to avoid sharp or abrasive objects and do not place hot items or food directly on the surface. Bluestone tops can be scratched. Riverside recommends using coasters, trivets and placemats under articles that may scratch or otherwise cause damage to the surface. Bluestone may be sealed every 6 months with stone wax, applied and used as directed.
- Avoid contact with glass cleaner, lemon, vinegar, alcohol, acids and oil products. Various food products containing mild acids such as catsup, mustard, etc. may leave an etched area and change the luster of the bluestone surface. Spot clean bluestone with a soft towel and a mild soap and water solution. This product is not intended for outdoor use.