
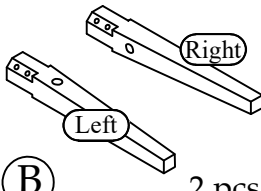
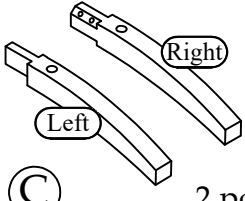
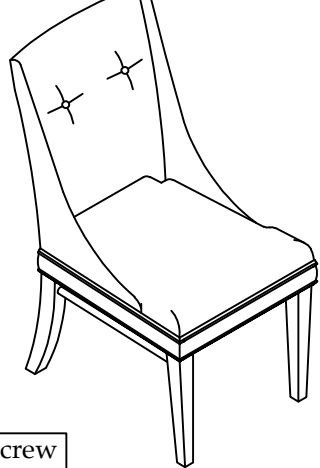
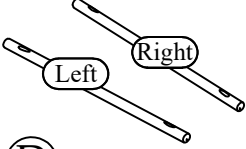







Components and Hardware List (for one chair)

<p>Seat</p>  <p>(A) 1 pc.</p>	<p>Front Legs</p>  <p>(B) 2 pcs.</p>	<p>Back Legs</p>  <p>(C) 2 pcs.</p>	 <p>#13756-13757-13758-13759 Side Chair</p>
<p>Stretcher</p>  <p>(D) 1 pc.</p>	<p>Allen-Head Bolt Ø8 x 50 mm</p> <p>(H1)  8 pcs.</p>	<p>Lock Washer Ø9 x Ø13 mm</p> <p>(H2)  8 pcs.</p>	
<p>Flat Washer Ø8 x Ø20 mm</p> <p>(H3)  8 pcs.</p>	<p>4x110mm Allen Key</p> <p>(H4)  1 pc.</p>	<p>Wood Screw Ø4 x 50 mm</p> <p>(H5)  4 pcs.</p>	

Be sure to check all packing material carefully for small parts, which may have come loose inside the carton during shipment.
To prevent possible scratches or damage, the chair should be assembled on a soft surface such as a blanket or carpet.

NOTE:

1. Do not fully tighten the bolts until the chair is completely assembled.
2. Set the chair upright on a flat surface to level the chair and then tighten all the bolts with the provided allen wrench and install the wood screws.

