

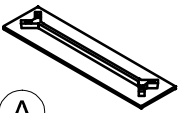

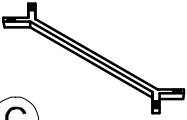











Warning :

- Be sure to check all packing material carefully for small parts, which may have come loose inside the carton during shipment.
- To prevent possible scratches and damage, this furniture **MUST BE ASSEMBLED BY TWO PEOPLE** on a soft surface such as a blanket or carpet.

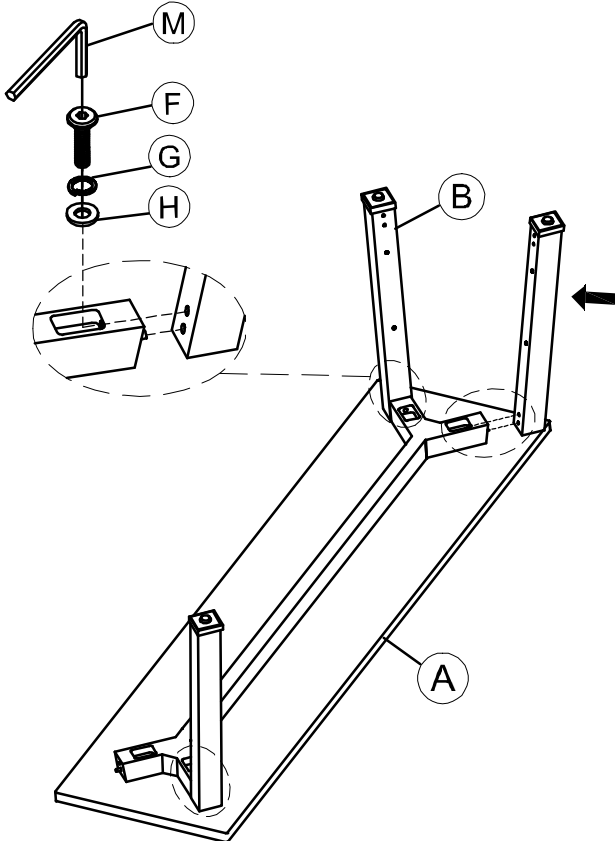


#11340
Entertainment Console

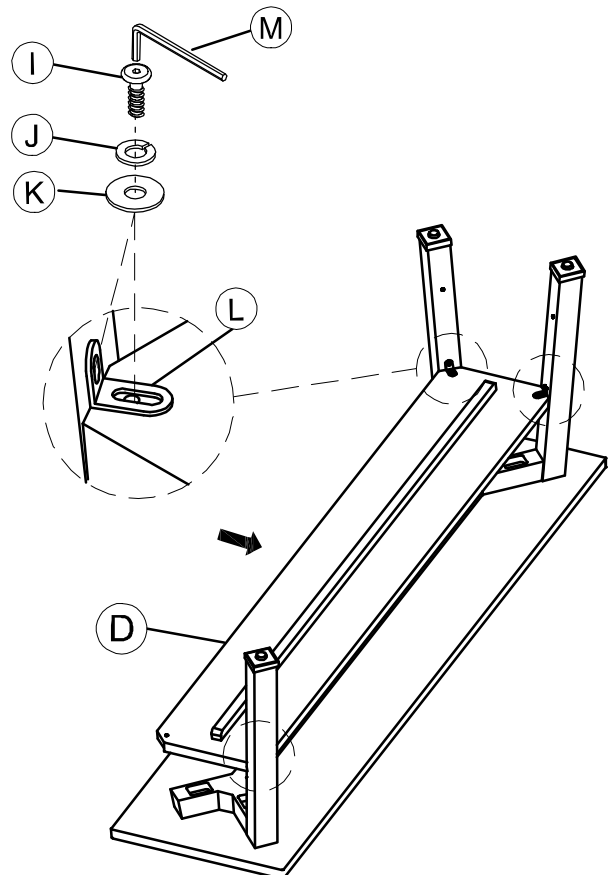
Components and Hardware List

Top Assembly	Leg	Stretcher	Center Shelf	Bottom Shelf		
 1 pc.	 4 pcs.	 1 pc.	 1 pc.	 1 pc.		
 8 pcs.	 8 pcs.	 8 pcs.	 16 pcs.	 16 pcs.	 16 pcs.	 8 pcs.
					 1 pc.	 2 pcs.

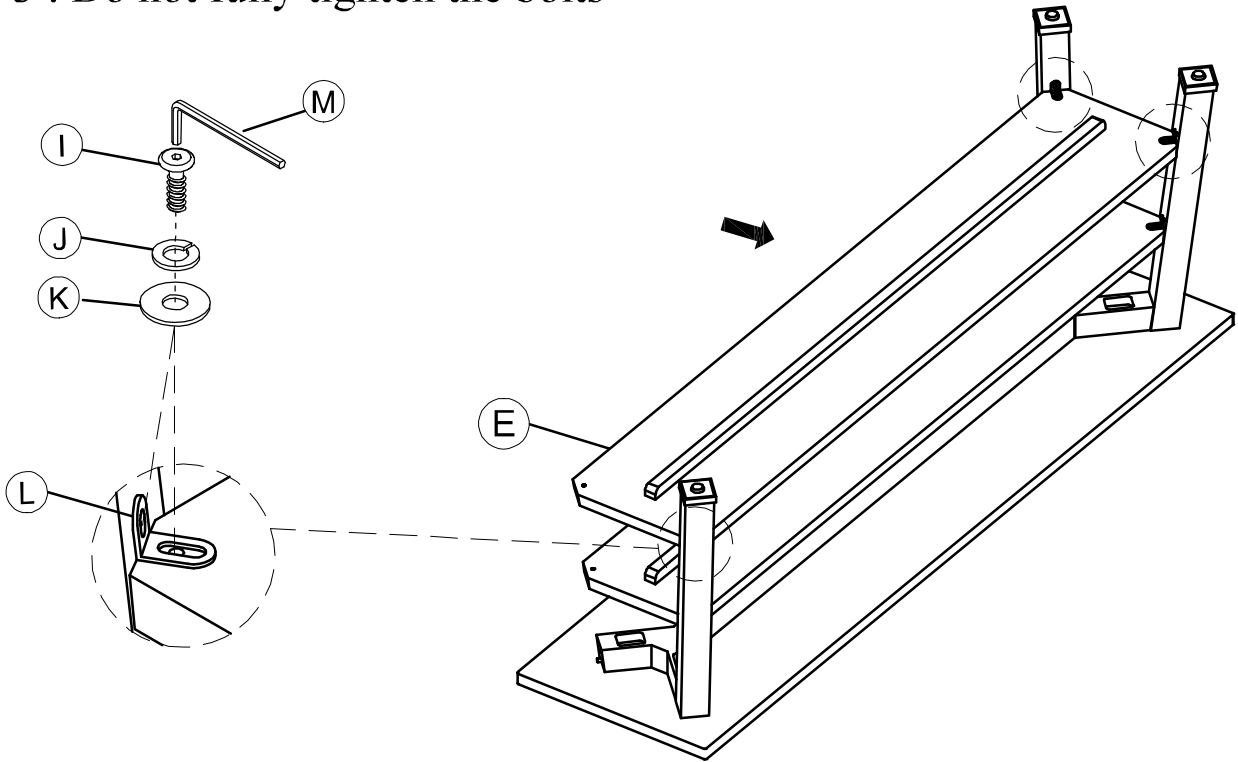
Step 1 : Do not fully tighten the bolts



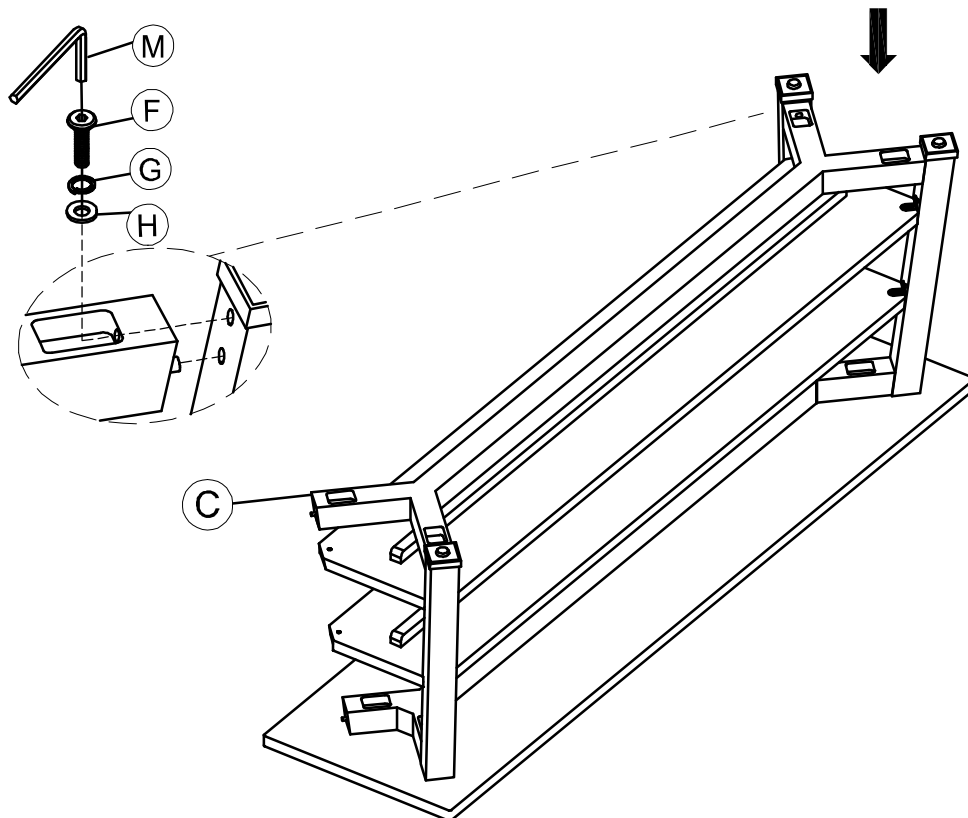
Step 2 : Do not fully tighten the bolts



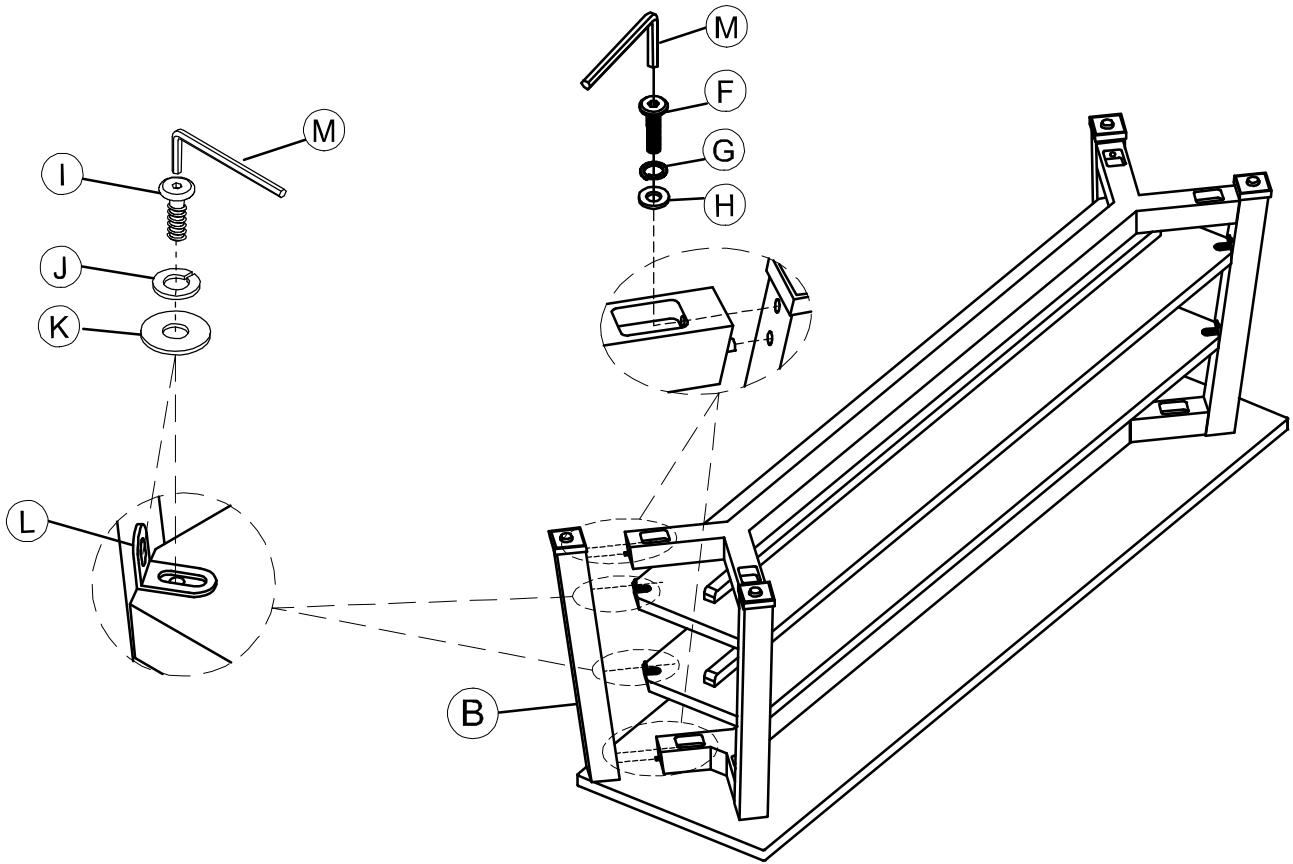
Step 3 : Do not fully tighten the bolts



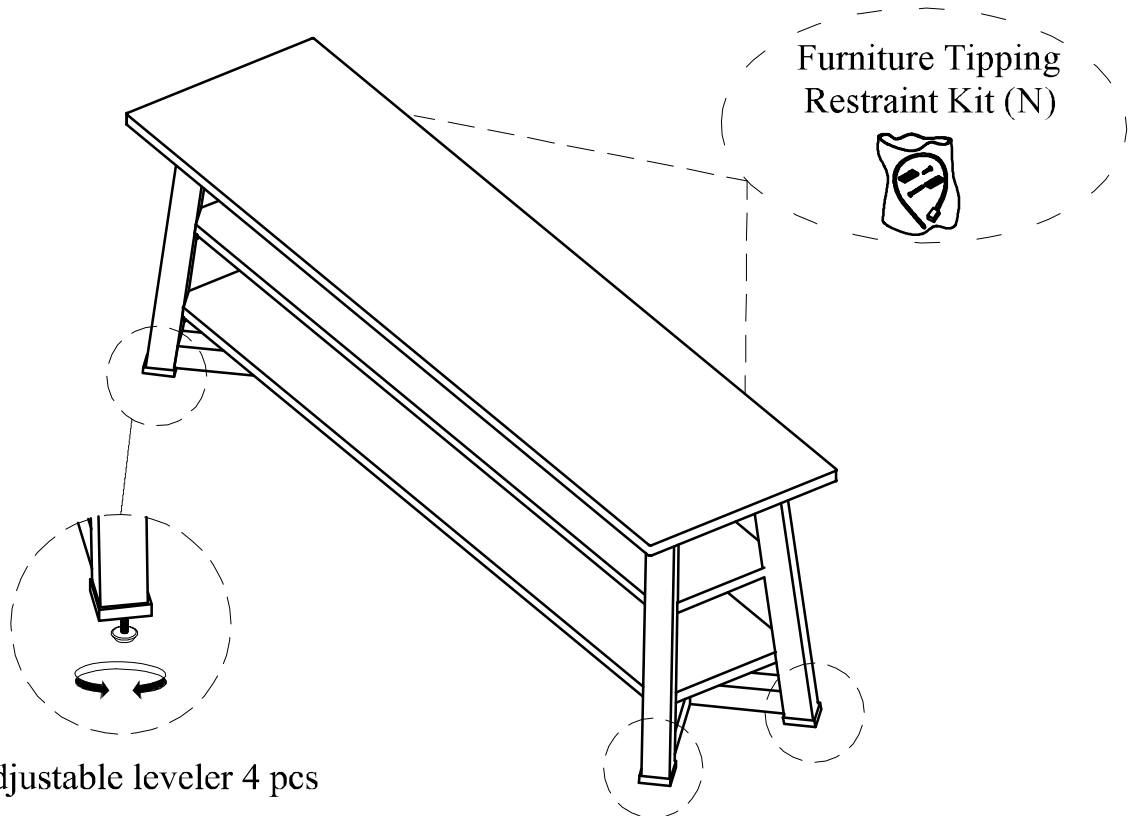
Step 4 : Do not fully tighten the bolts



Step 5 : Using the Allen key to tighten all bolts



Step 6 :



For product and personal safety, two Furniture Tipping Restraint kits have been included with this unit which can help to minimize the risk of the unit accidentally tipping forward, if used and properly installed per the manufacturer's instructions.