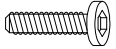
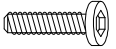
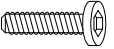



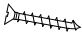
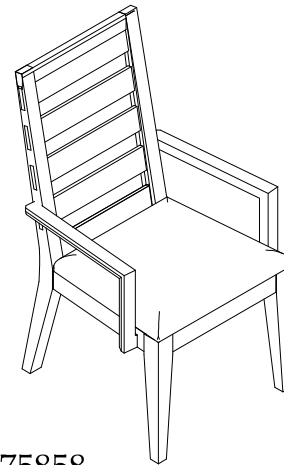
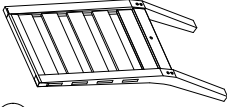
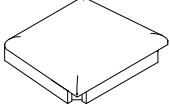
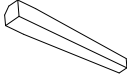
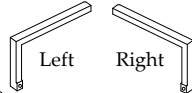


### Components and Hardware List (for one chair)

M5/16" x 2-1/4" Allen Head Bolt  <b>(A)</b> 4 pcs.	M5/16" x 3-1/4" Allen Head Bolt  <b>(B)</b> 4 pcs.	M5/16" x 1-1/2" Allen Head Bolt  <b>(C)</b> 3 pcs.	5/16" Spring Washer  <b>(D)</b> 11 pcs.	5/16" Flat Washer  <b>(E)</b> 11 pcs.
5mm Allen Wrench  <b>(F)</b> 1 pc.	Ø8# x 1-1/2" Wood Screw  <b>(G)</b> 2 pcs.			

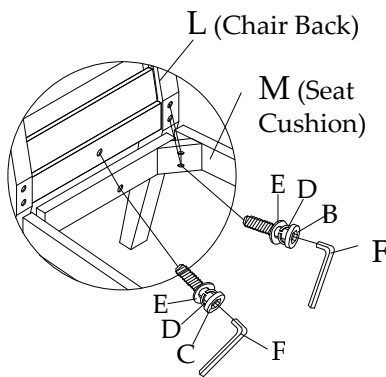


75858  
Arm Chair

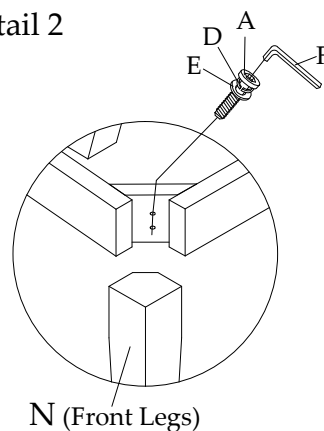
Chair Back  <b>(L)</b> 1 pc.	Seat Frame  <b>(M)</b> 1 pc.	Front Legs  <b>(N)</b> 2 pcs.	Left / Right Chair Arm Set  <b>(O)</b> 1 Pair.
---	---	--	--

Be sure to check all packing material carefully for small parts, which may have come loose inside the carton during shipment. Separate, count and check all parts against the Components and Hardware List above. Failure to use the correct length bolts in the proper locations may result in an unsafe product and could also cause damage to the parts being assembled.

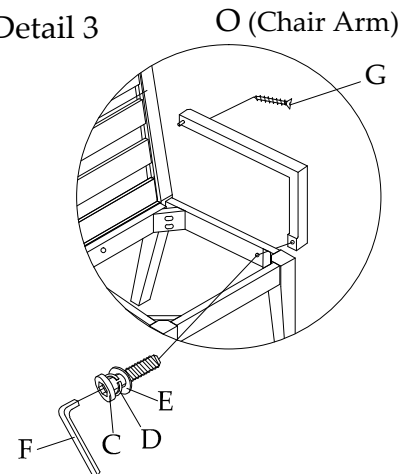
#### Detail 1



#### Detail 2



#### Detail 3



**Step 1:** Place the Chair Back (L) on a padded surface, and assemble the Seat Frame (M) to the Chair Back as shown in Detail 1, using the Bolts and Washers as shown. Do not fully tighten bolts until after chair has been completely assembled.

**Step 2:** Attach the Front Legs (N) using the Bolts, Spring Washers and Flat Washers as shown in Detail 2.

**Step 3:** Set the assembled Chair upright on a flat surface to level chair. Reach under chair seat and tighten all Bolts using the Allen Wrench (F). **DO NOT** overtighten because damage to chair can occur.

**Step 4:** Attach the Chair Arms (O) using the Bolts, Spring Washers and Flat Washers, at the front end, as shown in Detail 3. Pull the back end of the Arm snug to the Chair Back and using your Phillips Screwdriver, install the Wood Screw (G) underneath the back end. Tighten Bolts using the Allen Wrench (F).