





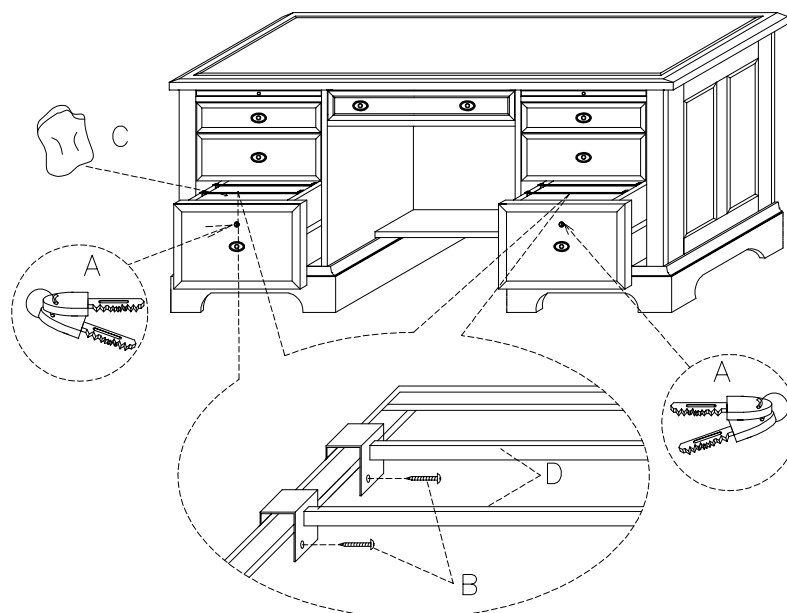
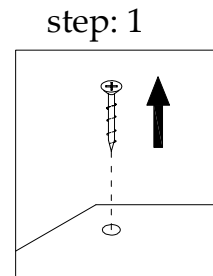
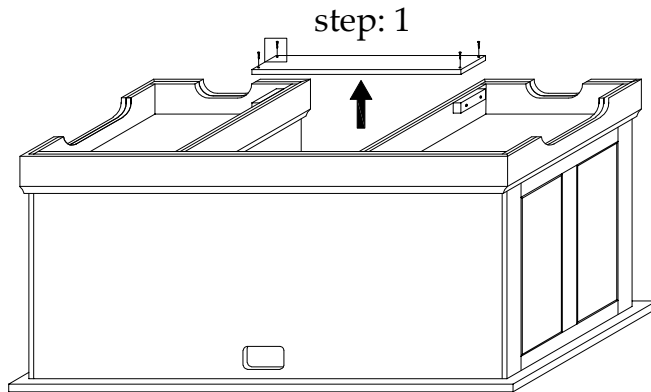
RIVERSIDE FURNITURE

WOODLANDS OAK HOME OFFICE

ASSEMBLY INSTRUCTION ITEM #69256 56" Flat Top Desk

Hardware pack	Key		A	2 sets
 C 1 pcs	Screw		B	8 pcs (1/8" x 1/2")
File rod			D	4 pcs

Notice: After unpacking the desk, carefully remove the brace from underneath the desk as shown, and discard.



RIVERSIDE FURNITURE

WOODLANDS OAK HOME OFFICE

ASSEMBLY INSTRUCTION

ITEM # 69256 56" Flat Top Desk

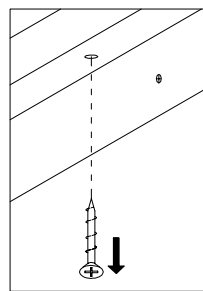
STEP: 1 Remove the Knee-Hole Drawer. With the drawer fully open, the drawer slides must be released by pressing the "trigger" located in the slide either up or down, depending on which side is being removed. With both triggers pressed, gently pull the drawer until the slides release. Gently turn the desk upside down on a soft surface, such as a blanket or carpet.

STEP: 2 Remove the $\frac{5}{8}$ " long screws attaching the top through the metal plates on the outside ends of the desk. Save all screws to use to reattach desk top.

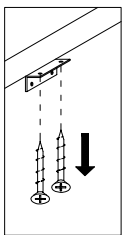
STEP: 3 Remove the $\frac{5}{8}$ " long screws from the "L" bracket in the knee-hole area of the desk.

STEP: 4 Remove the 1" long screws from the cleat at the back of the desk.

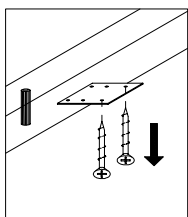
STEP: 5 To reattach the top, position the top on to the locator pins and with equal overhang around the edges of the top and simply install the screws in reverse order listed above.



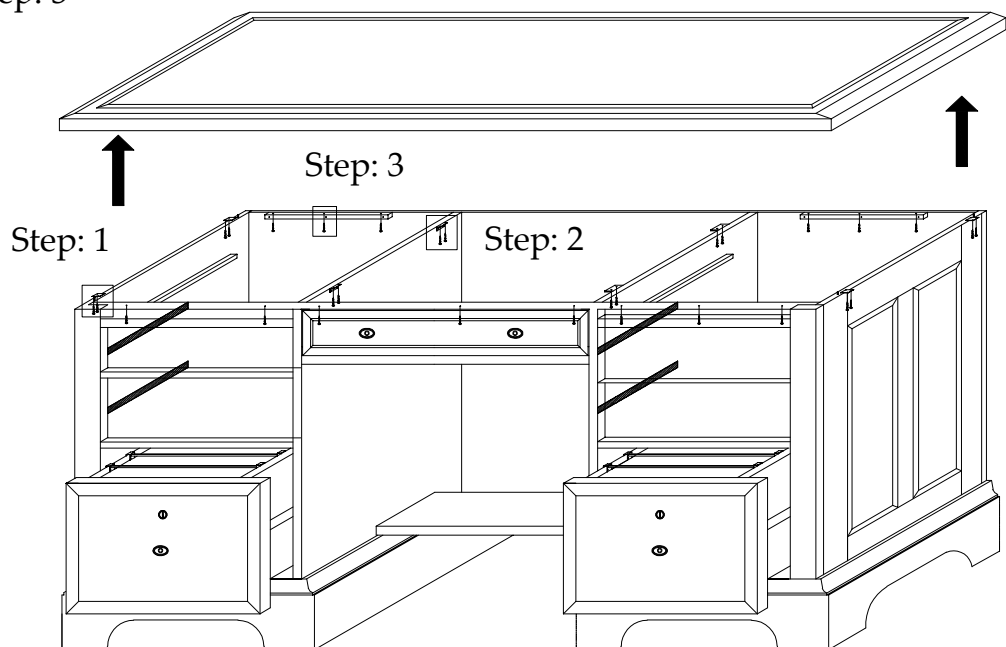
Step: 3



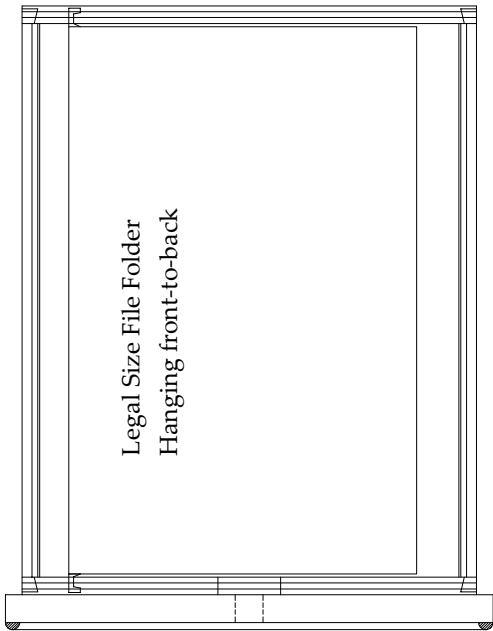
Step: 2



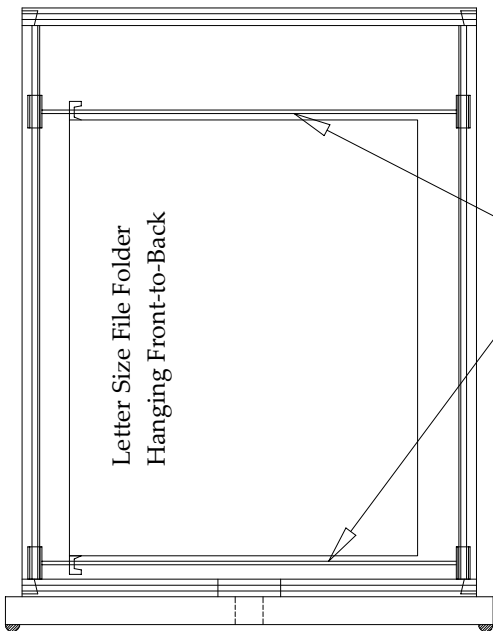
Step: 1



Note: When the top is removed from this desk, handle the desk with extreme care if moving, the top adds to the desk's stability and sturdiness and the desk could easily be damaged with the top removed.



To hang Legal size folders, they will hang on the top edge of the panel just behind the drawer front onto the top edge of the drawer back.



Metal Rod

To hang Letter size folders, hang two of the metal rods going across from one drawer side to the other. Position one directly behind the drawer front and the other spaced towards the back, to accept the other edge of the file folder.

