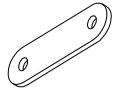


## Components and Hardware List

Mending  
Plate



**A** 2 pcs.  
(attached)

Wood Screw  
#6 x 5/8" long

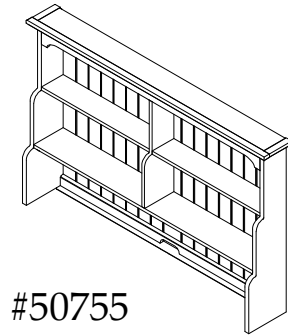


**B** 4 pcs.  
(2-installed)

Anti-tipping  
Restraint Kit

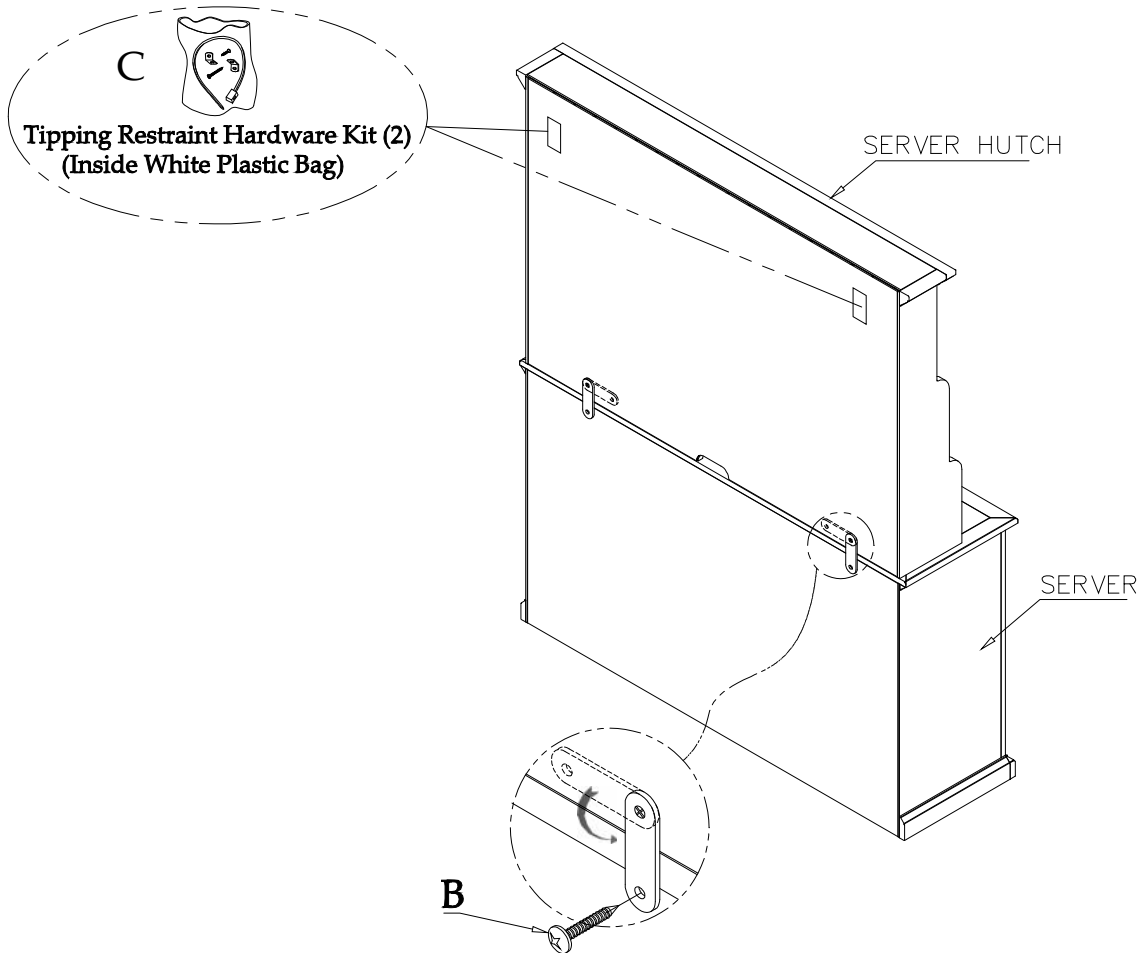


**C** 2 pcs.



#50755  
Server Hutch

Be sure to check all packing material carefully for small parts, which may have come loose inside the carton during shipment.



**Step 1:** After the Server has been moved to near its final location in the room, position and connect the Server Hutch on top of the Server. Pivot the Mending Plates attached to the back of the Hutch down and using your Phillips Screwdriver install the Wood Screw (B) to connect the pieces together.

If certain pieces of furniture are misused or abused, the possibility exists that they might tip over. The Anti-Tipping Restraints provided can help to reduce that risk, if used. Please refer to the instructions on the next page or printed on the furniture restraint package for proper installation instructions.