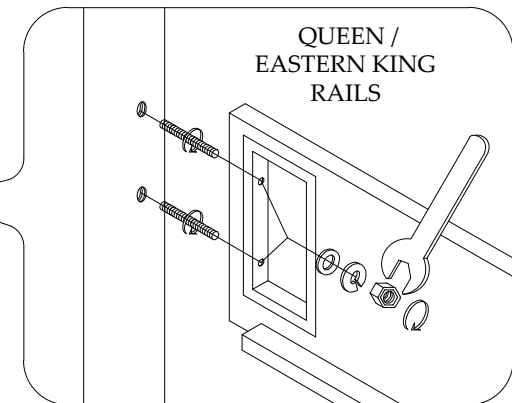
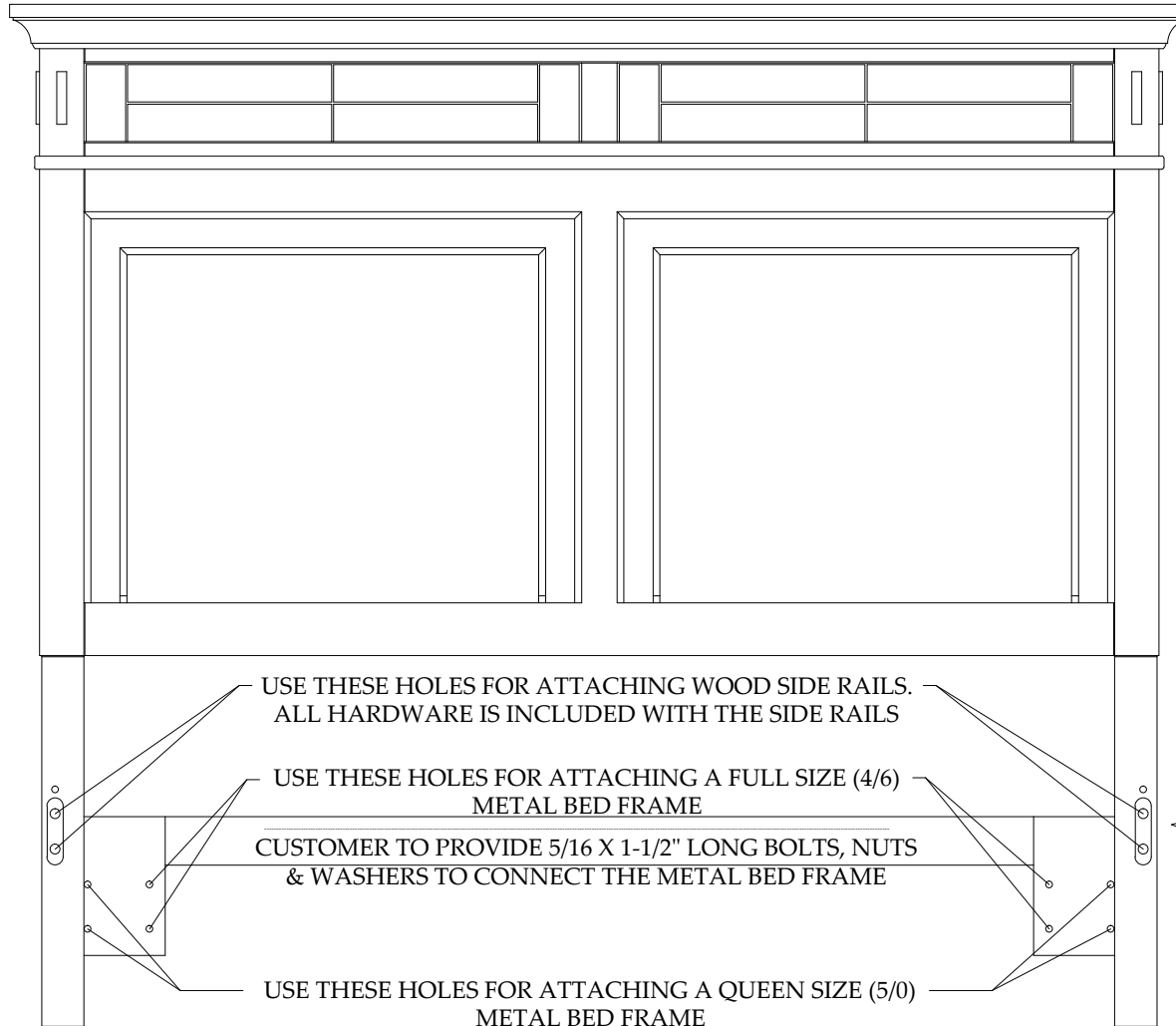


*For the Complete Queen Bed Use:  
#2974 Queen / Full Headboard  
#2975 Queen Footboard & Slats  
#2972 Queen / King Rails*





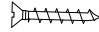
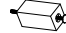
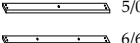
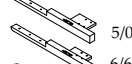
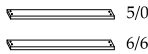
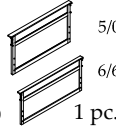

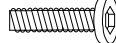


*The Headboard may also be used  
alone with a Queen or Full Size  
Metal Bed Frame*



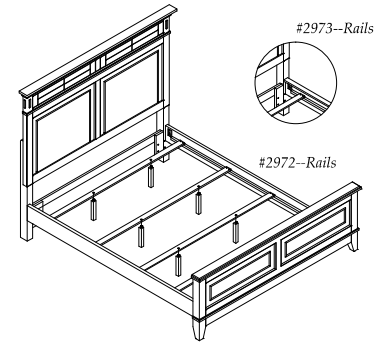
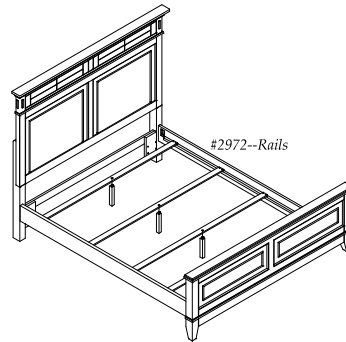
CUSTOMER TO PROVIDE 5/16 X 3" LONG BOLTS, NUTS &  
WASHERS TO CONNECT THE METAL BED FRAME

6/0-6/6 King Panel Bed Components  
 #2984--6/0-6/6 King Panel Headboard  
 #2985--6/0-6/6 King Panel Footboard & Slats  
 #2972--5/0-6/6 Panel Bed Rails  
 OR  
 #2973--6/0 California King Bed Rails

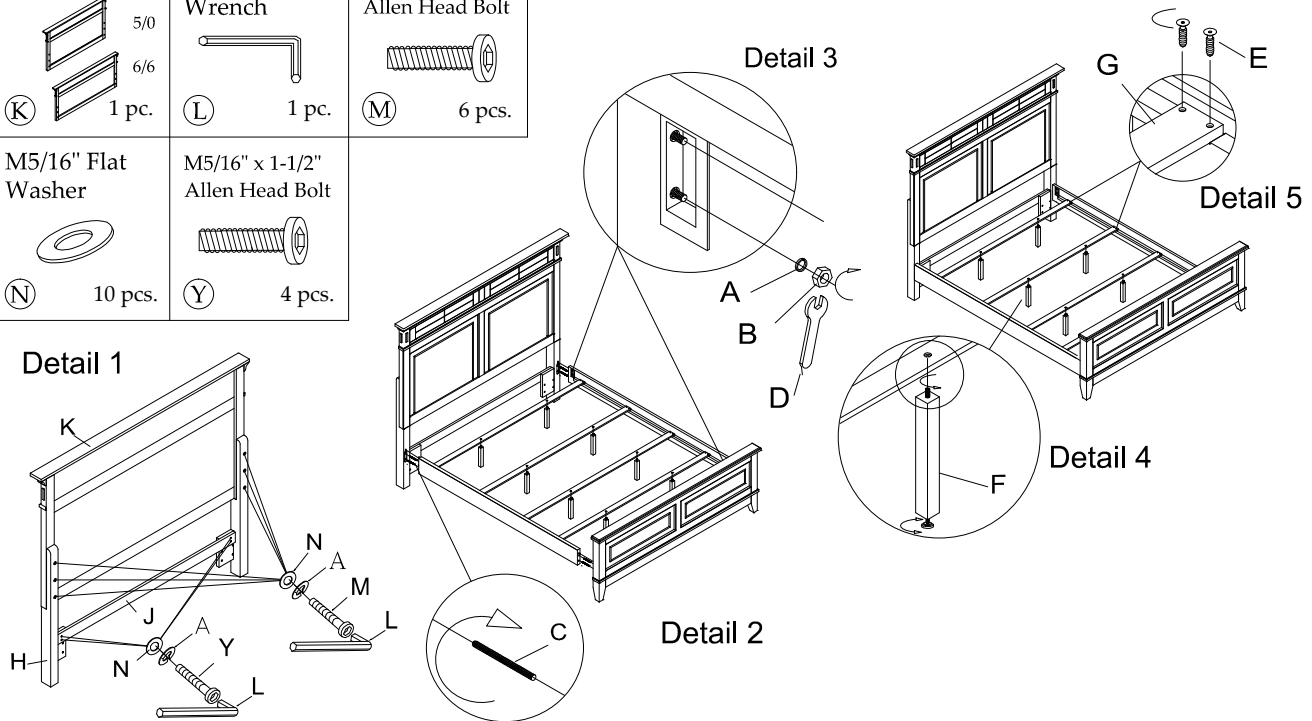
### Parts List

M5/16" Spring Washer  (A) 18 pcs.	M5/16" Hex Nut  (B) 8 pcs.	M5/16" x 3-1/2" All-thread Bolt  (C) 8 pcs.
M5/16" Open Wrench  (D) 1 pc.	#8 x 1-1/4" Wood Screw  (E) 16 pcs.	Slat Support Leg  (F) 4 pcs. for 5/0 8 pcs. for 6/6
Wood Slat  (G) 4 pcs.	Back Post (Left & Right)  (H) 1 Pair (2 pcs)	Stretcher Rail  (J) 1 pc.
Headboard Panel  (K) 1 pc.	5mm Allen Wrench  (L) 1 pc.	M5/16" x 1-3/4" Allen Head Bolt  (M) 6 pcs.
M5/16" Flat Washer  (N) 10 pcs.	M5/16" x 1-1/2" Allen Head Bolt  (Y) 4 pcs.	

5/0 Queen Panel Bed Components  
 #2974--5/0 Queen Panel Headboard  
 #2975--5/0 Queen Panel Footboard & Slats  
 #2972--5/0-6/6 Panel Bed Rails



Be sure to check all packing material carefully for small parts, which may have come loose inside the carton during shipment.



- STEP 1:** Attach the Stretcher Rail (J) to the Left and Right Back Posts (H) using the Flat Washer (N), Spring Washer (A) and 1-1/2" long Bolt (Y). Do not fully tighten until after next step.
- STEP 2:** Attach the Left and Right Posts to the Headboard (K) using the Flat Washer (N), Spring Washers (A) and 1-3/4" long Bolts (Y). Tighten all bolts using the Allen Wrench (L).
- STEP 3:** Gently lean the Headboard against the wall where the Bed will be located.
- STEP 4:** Install the All-thread Bolts (C) into the threaded inserts in the Headboard and Footboard. Attach Side Rail to Headboard and Footboard using the Spring Washers (A) and Hex Nuts (B). Position the footboard to be square to the Headboard and tighten using the Open Wrench (D).

- STEP 5:** Attach Slat Support Leg (F) on bottom side of the four Slats (G).
- STEP 6:** Attach Slats to the Side Rails with Screw (E) and your Phillips screwdriver, at both ends of slats.

To prevent undue stress to the Bed, always disassemble the Bed to move from one location to another.