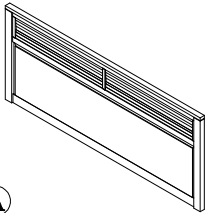
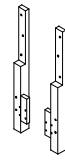
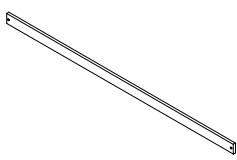
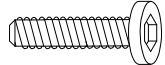
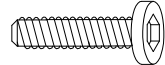


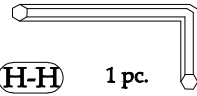
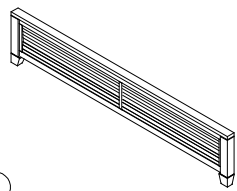
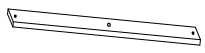

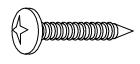


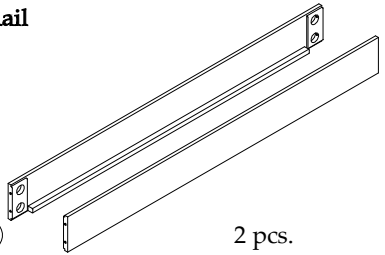

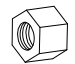


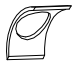

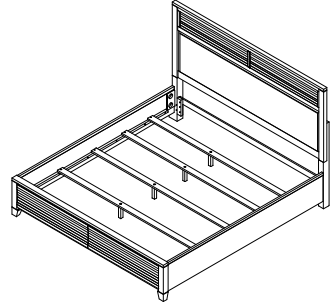
*Hardware and Parts packed with the Headboard*

<b>Headboard Panel</b>  <b>(H-A)</b> 1 pc.		<b>Headboard Post</b>  <b>(H-B)</b> One Left & One Right		<b>Headboard Stretcher</b>  <b>(H-C)</b> 1 pc.	
<b>M5/16" x 1-5/8" Long Allen Head Bolt</b>  <b>(H-D)</b> 2 pcs.	<b>M5/16" x 2" Long Allen Head Bolt</b>  <b>(H-E)</b> 6 pcs.	<b>M5/16" Spring Washer</b>  <b>(H-F)</b> 8 pcs.	<b>M5/16" x 19mm Flat Washer</b>  <b>(H-G)</b> 8 pcs.	<b>5mm Allen Wrench</b>  <b>(H-H)</b> 1 pc.	

*Hardware and Parts packed with the Footboard*

<b>Standard Footboard Frame</b>  <b>(F-A)</b> 1 pc.		<b>5/0 Wood Slat 60-3/4" Long</b>  <b>(F-E)</b> 4 pcs.		<b>Slat Support Leg 5-1/4" long with leveler</b>  <b>(F-D)</b> 4 pcs.		<b>#8 x 1" Wood Screw</b>  <b>(F-J)</b> 8 pcs.	

*Hardware and Parts packed with the Bed Rails*

<b>Bed Rail</b>  <b>(R-A)</b> 2 pcs.		<b>M5/16" x 3" All-Thread Bolt</b>  <b>(R-B)</b> 8 pcs.		<b>M5/16" Hex Nut</b>  <b>(R-C)</b> 8 pcs.		<b>M5/16" Spring Washer</b>  <b>(R-D)</b> 8 pcs.		<b>M5/16" x 16mm Flat Washer</b>  <b>(R-E)</b> 8 pcs.	
		<b>Ø50mm Arc-Washer</b>  <b>(R-F)</b> 8 pcs.		<b>Open Wrench</b>  <b>(R-G)</b> 1 pc.					

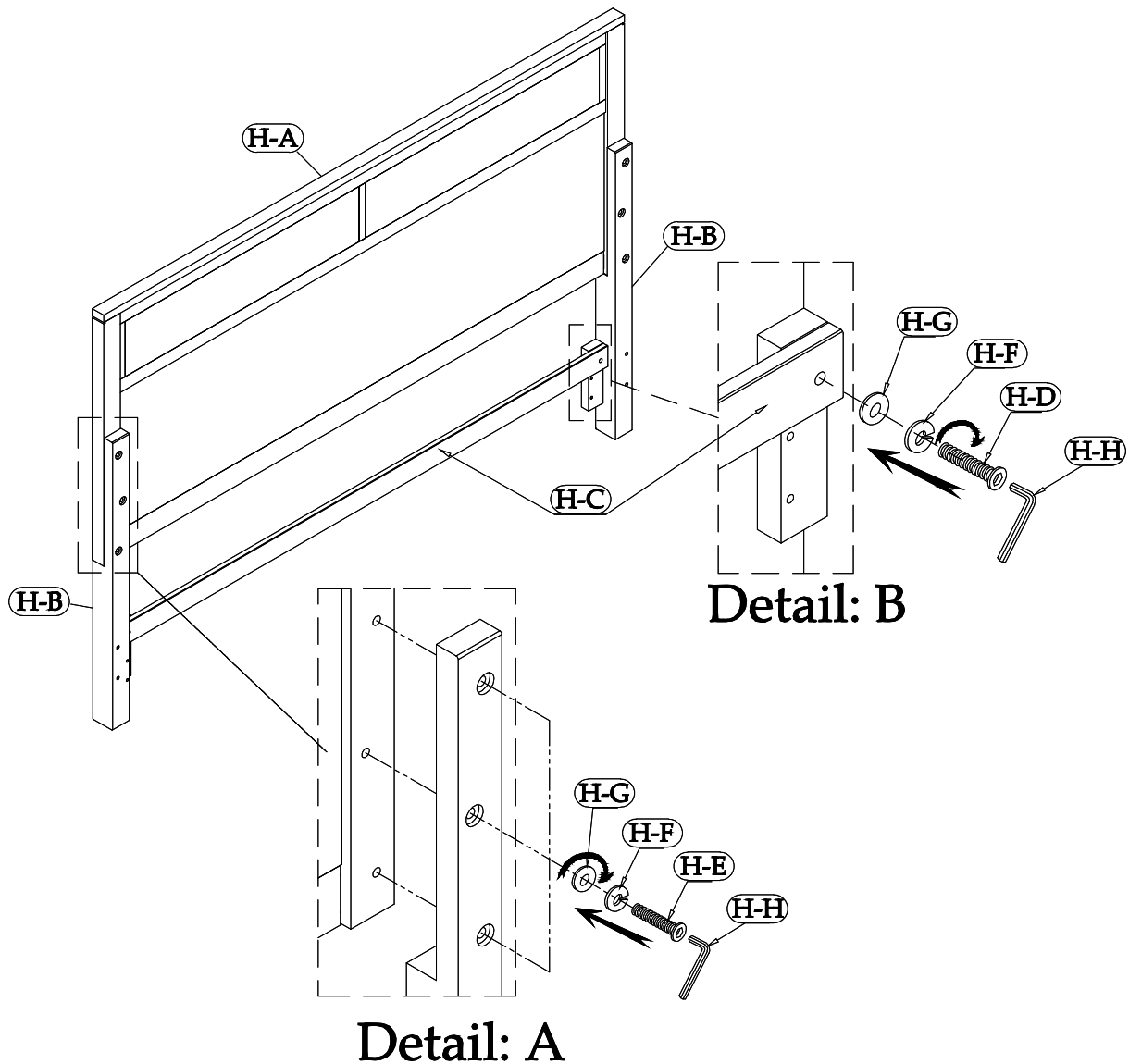
**5/0 Queen Standard Bed**

25770 -- 4/6-5/0 Panel Headboard

(NOTE: the 25775 Leather Headboard may be used as an alternate)

25772 -- 5/0-6/6 Panel Bed Rails

25771 -- 5/0 Panel Footboard w/Slats



#### ASSEMBLY STEPS :

1. Place the Headboard Panel (H-A) face down on a clean and soft surface.
2. Attach the Left and Right Headboard Posts (H-B) to the back of the Headboard Panel, using the Flat Washers (H-G), Spring Washers (H-F) and 2" Long Bolts (H-E). Do not fully tighten until after next step. (see Detail A).
3. Attach the Back Stretcher (H-C) to the Headboard Posts using the same Washers and 1-5/8" Long Bolts (H-D) as in previous step.
4. Tighten all Bolts using the Allen Wrench (H-H). (see Detail A & B).

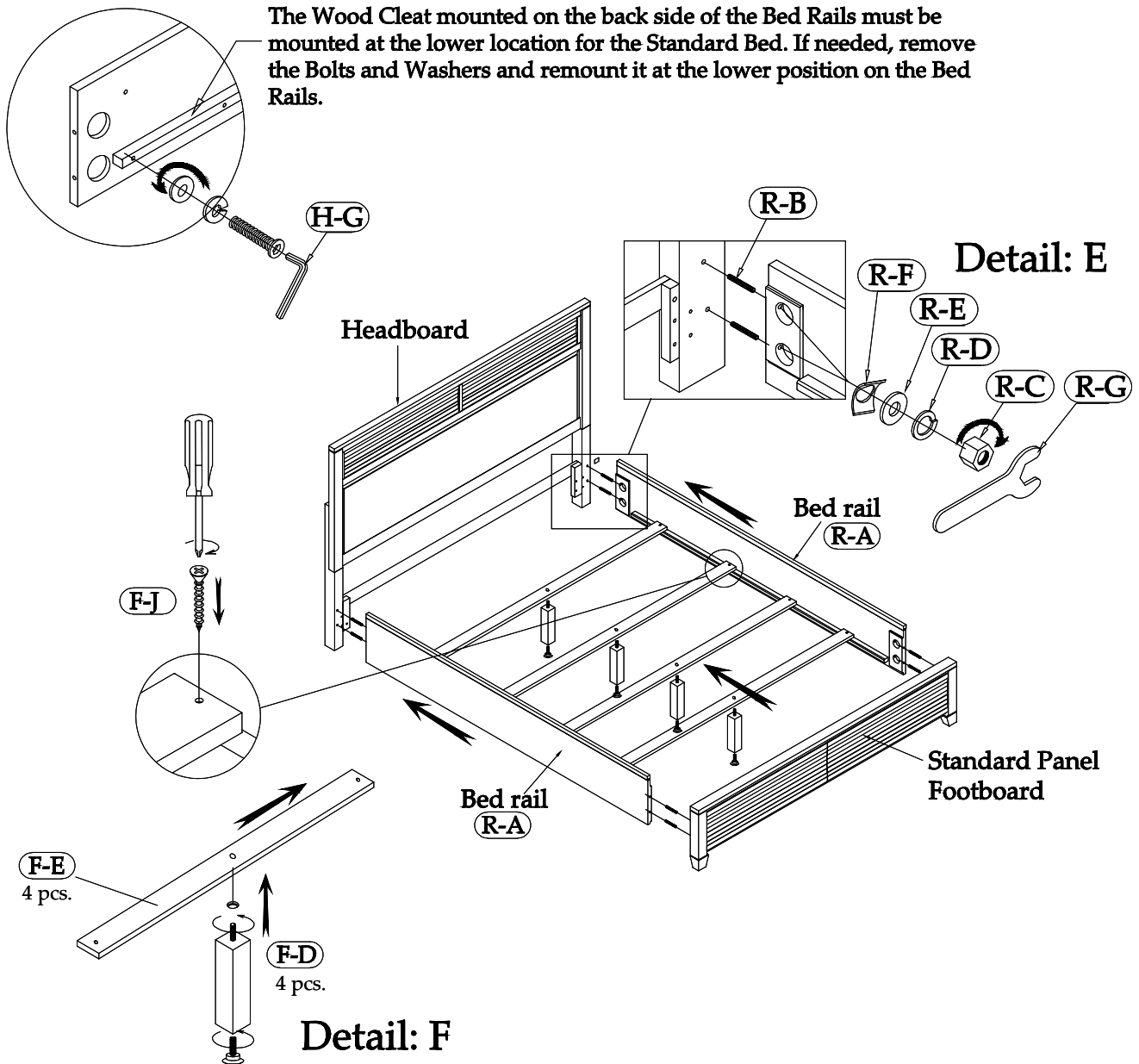
Gently lean the back of the assembled Headboard against the wall where the Bed will be located in the room.

**ASSEMBLY STEPS :**

To prevent possible damage to furniture and personal injury, it is recommended that two people are used to perform the following steps.

5. Install two All-Thread Bolts (R-B) into the metal threaded inserts installed in the Headboard Posts and into the metal inserts on the Standard Footboard.
6. Carefully position one end of one Bed Rail (R-A) onto the All-thread Bolts on the Headboard and connect using the Arc Washers (R-F), Flat Washers (R-E), Spring Washers (R-D), and Hex Nut (R-C). Only partially tighten the Nuts until the Footboard has been connected. Repeat for other Bed Rail.
7. Position and connect the Footboard (F-A) to the other end of the Bed Rails, attaching as in the previous Steps.
8. Carefully align the Footboard to be 'square' with the Headboard. Using the Open Wrench (R-G) tighten all Hex Nuts attaching the Side Rails to the Headboard and Footboard. (See Detail E ).
9. Attach the four Support Legs (F-D) to the bottom side of four Wood Slats (F-E). (See Detail F).
10. Position and attach the Slats to the Bed Rails using the Wood Screws (F-J) and your Phillips Screwdriver.

The levelers located at the bottom of the Support Legs can be adjusted if necessary to support the panels.



### **5/0 Queen Storage Bed**

25770 -- 4/6-5/0 Panel Headboard

25774 -- 5/0-6/6 Storage Bed Rails

25773 -- 5/0 Storage Footboard w/Platform

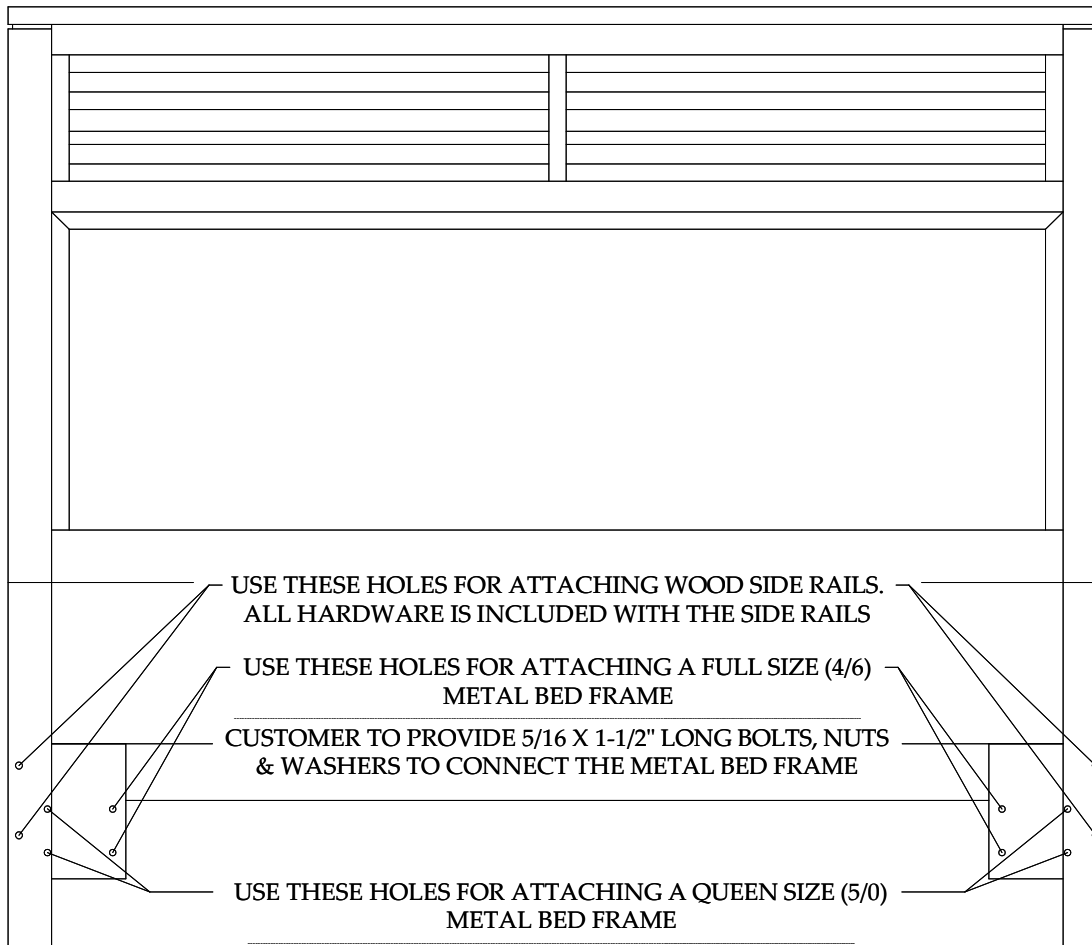
### **5/0 Queen Standard Bed**

25770 -- 4/6-5/0 Panel Headboard

25772 -- 5/0-6/6 Panel Bed Rails

25771 -- 5/0 Panel Footboard w/Slats

*The Headboard may be used alone  
with a Queen or Full Size  
Metal Bed Frame*



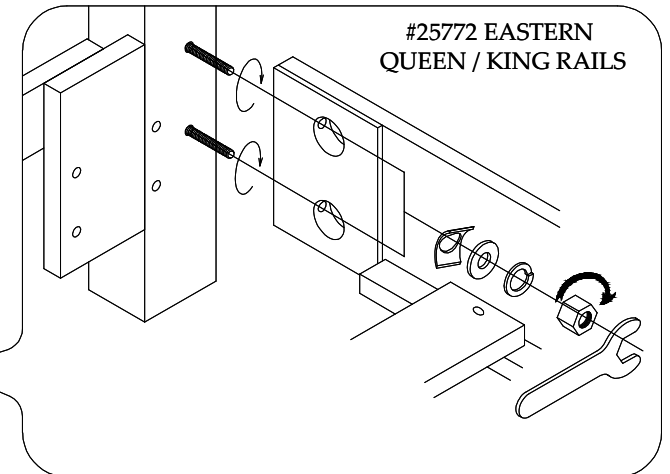
USE THESE HOLES FOR ATTACHING WOOD SIDE RAILS.  
ALL HARDWARE IS INCLUDED WITH THE SIDE RAILS

USE THESE HOLES FOR ATTACHING A FULL SIZE (4/6)  
METAL BED FRAME

CUSTOMER TO PROVIDE 5/16 X 1-1/2" LONG BOLTS, NUTS  
& WASHERS TO CONNECT THE METAL BED FRAME

USE THESE HOLES FOR ATTACHING A QUEEN SIZE (5/0)  
METAL BED FRAME

CUSTOMER TO PROVIDE 5/16 X 3-1/2" LONG BOLTS, NUTS  
& WASHERS TO CONNECT THE METAL BED FRAME



## #25775 **Leather** Queen / Full Size Headboard

### **5/0 Queen Storage Bed**

25775 -- 4/6-5/0 **Leather** Panel Headboard

25774 -- 5/0-6/6 Storage Bed Rails

25773 -- 5/0 Storage Footboard w/Platform

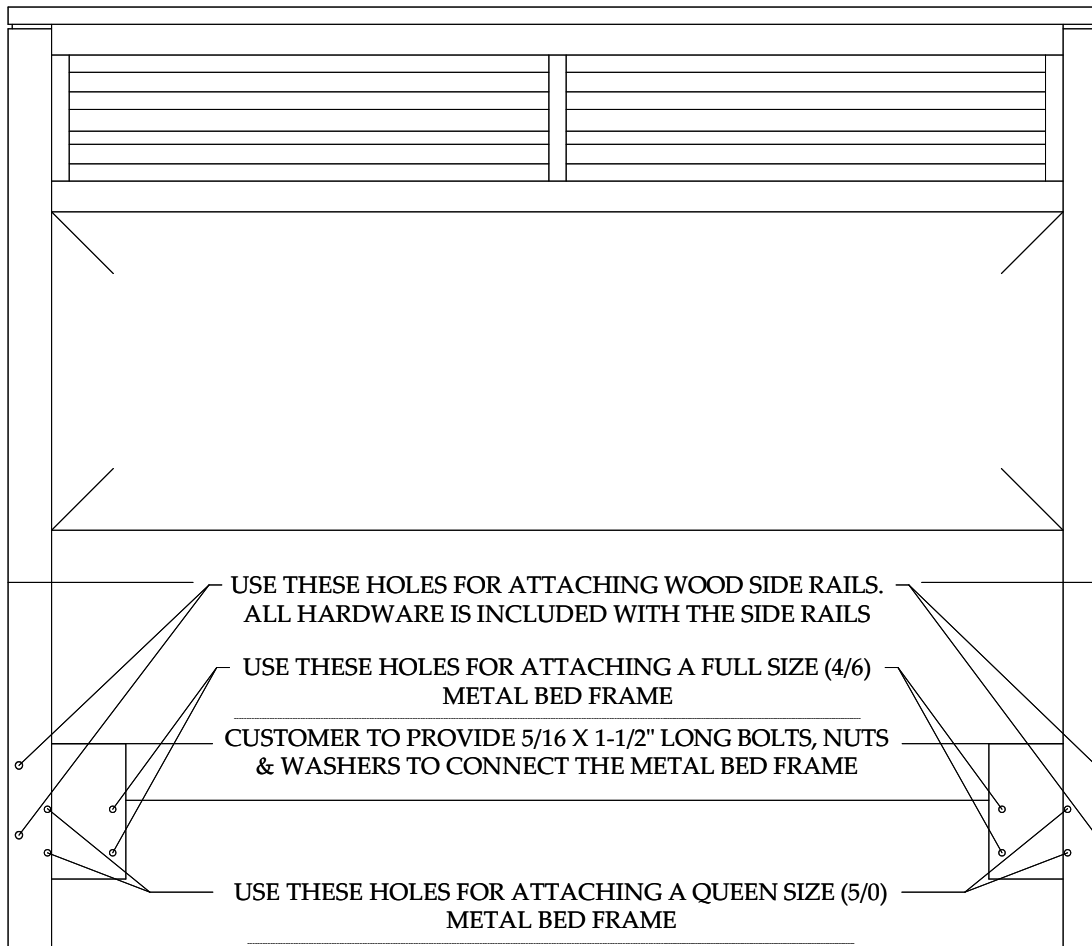
### **5/0 Queen Standard Bed**

25775 -- 4/6-5/0 **Leather** Panel Headboard

25772 -- 5/0-6/6 Panel Bed Rails

25771 -- 5/0 Panel Footboard w/Slats

*The Headboard may be used alone  
with a Queen or Full Size  
Metal Bed Frame*



USE THESE HOLES FOR ATTACHING WOOD SIDE RAILS.  
ALL HARDWARE IS INCLUDED WITH THE SIDE RAILS

USE THESE HOLES FOR ATTACHING A FULL SIZE (4/6)  
METAL BED FRAME

CUSTOMER TO PROVIDE 5/16 X 1-1/2" LONG BOLTS, NUTS  
& WASHERS TO CONNECT THE METAL BED FRAME

USE THESE HOLES FOR ATTACHING A QUEEN SIZE (5/0)  
METAL BED FRAME

CUSTOMER TO PROVIDE 5/16 X 3-1/2" LONG BOLTS, NUTS  
& WASHERS TO CONNECT THE METAL BED FRAME

