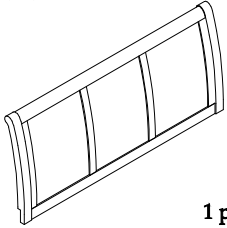

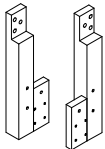
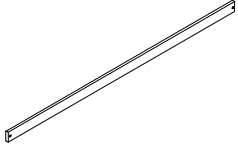
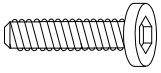


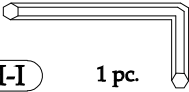
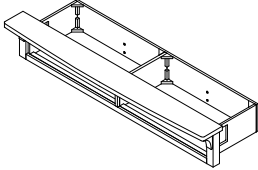

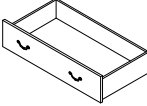
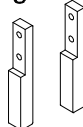

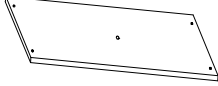
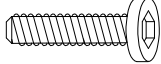



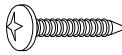
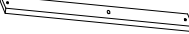


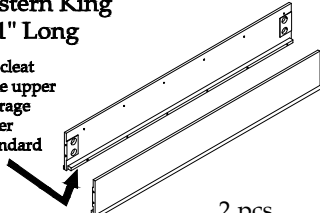

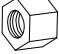




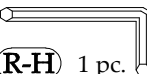
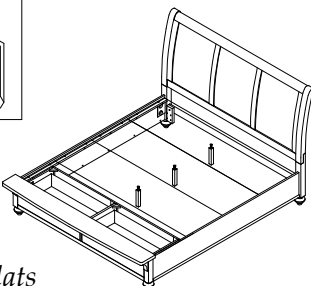
Hardware and Parts packed with the Headboard

<p>Headboard Panel</p>  <p>(H-A) 1 pc.</p>	<p>Headboard Bun Foot</p>  <p>(H-B) 2 pcs.</p>	<p>Headboard Post</p>  <p>(H-C) One Left & One Right</p>	<p>Headboard Stretcher</p>  <p>(H-D) 1 pc.</p>
<p>M5/16" x 1-3/4" Long Allen Head Bolt</p>  <p>(H-E) 8 pcs.</p>	<p>M5/16" Spring Washer</p>  <p>(H-F) 8 pcs.</p>	<p>M5/16" x 19mm Flat Washer</p>  <p>(H-G) 8 pcs.</p>	<p>5mm Allen Wrench</p>  <p>(H-I) 1 pc.</p>

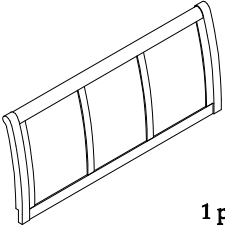

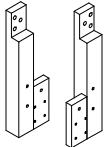
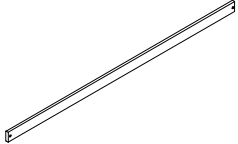
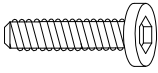


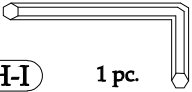
Hardware and Parts packed with the Footboard

<p>Storage Footboard Frame</p>  <p>(F-A) 1 pc.</p>	<p>Footboard Bun Foot</p>  <p>(F-B) 2 pcs.</p>	<p>Drawer</p>  <p>(F-C) 2 pcs.</p>	<p>Drawer Box Support Leg 8-3/4" long</p>  <p>(F-D) 2 pcs.</p>	
<p>Panel Support Leg 13-7/8" long</p>  <p>(F-E) 4 pcs.</p>	<p>5/0 Wood Panel 61" x 20"</p>  <p>(F-F) 4 pcs.</p>	<p>M5/16" x 1-1/2" Long Allen Head Bolt</p>  <p>(F-G) 4 pcs.</p>	<p>M5/16" Spring Washer</p>  <p>(F-H) 4 pcs.</p>	<p>M5/16" x 19mm Flat Washer</p>  <p>(F-I) 4 pcs.</p>
<p>5mm Allen Wrench</p>  <p>(F-J) 1 pc.</p>	<p>#8 x 1" Wood Screw</p>  <p>(F-K) 24 pcs.</p>	<p>5/0 Wood Slat 61" long</p>  <p>(F-L) 4 pcs.</p>		

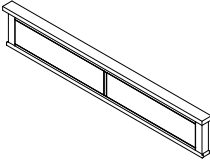

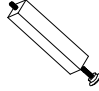

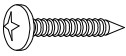
Hardware and Parts packed with the Bed Rails

<p>Queen / Eastern King Bed Rail 81" Long</p> <p>Note: This wood cleat will be used at the upper position for a Storage Bed or at the lower position for a Standard Bed.</p>  <p>(R-A) 2 pcs.</p>	<p>M5/16" x 3-1/2" All-Thread Bolt</p>  <p>(R-B) 8 pcs.</p>	<p>M5/16" Hex Nut</p>  <p>(R-C) 8 pcs.</p>	<p>M5/16" Spring Washer</p>  <p>(R-D) 8 pcs.</p>	<p>M5/16" x 16mm Flat Washer</p>  <p>(R-E) 8 pcs.</p>
		<p>Ø50mm Arc-Washer</p>  <p>(R-F) 8 pcs.</p>	<p>Open Wrench</p>  <p>(R-G) 1 pc.</p>	<p>4mm Allen Wrench</p>  <p>(R-H) 1 pc.</p>
<p>5/0 Queen Storage Bed 20270 --5/0 Sleigh Headboard 20274 --5/0-6/6 Bed Rails 20273 -- 5/0 Storage Footboard, Panels, Slats</p> 				

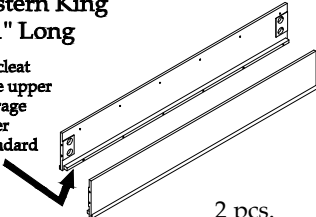

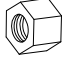




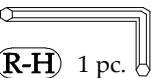
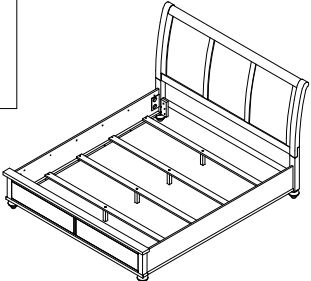
Hardware and Parts packed with the Headboard

<p>Headboard Panel</p>  <p>(H-A) 1 pc.</p>	<p>Headboard Bun Foot</p>  <p>(H-B) 2 pcs.</p>	<p>Headboard Post</p>  <p>(H-C) One Left & One Right</p>	<p>Headboard Stretcher</p>  <p>(H-D) 1 pc.</p>	
<p>M5/16" x 1-3/4" Long Allen Head Bolt</p>  <p>(H-E) 8 pcs.</p>	<p>M5/16" Spring Washer</p>  <p>(H-F) 8 pcs.</p>	<p>M5/16" x 19mm Flat Washer</p>  <p>(H-G) 8 pcs.</p>	<p>5mm Allen Wrench</p>  <p>(H-I) 1 pc.</p>	

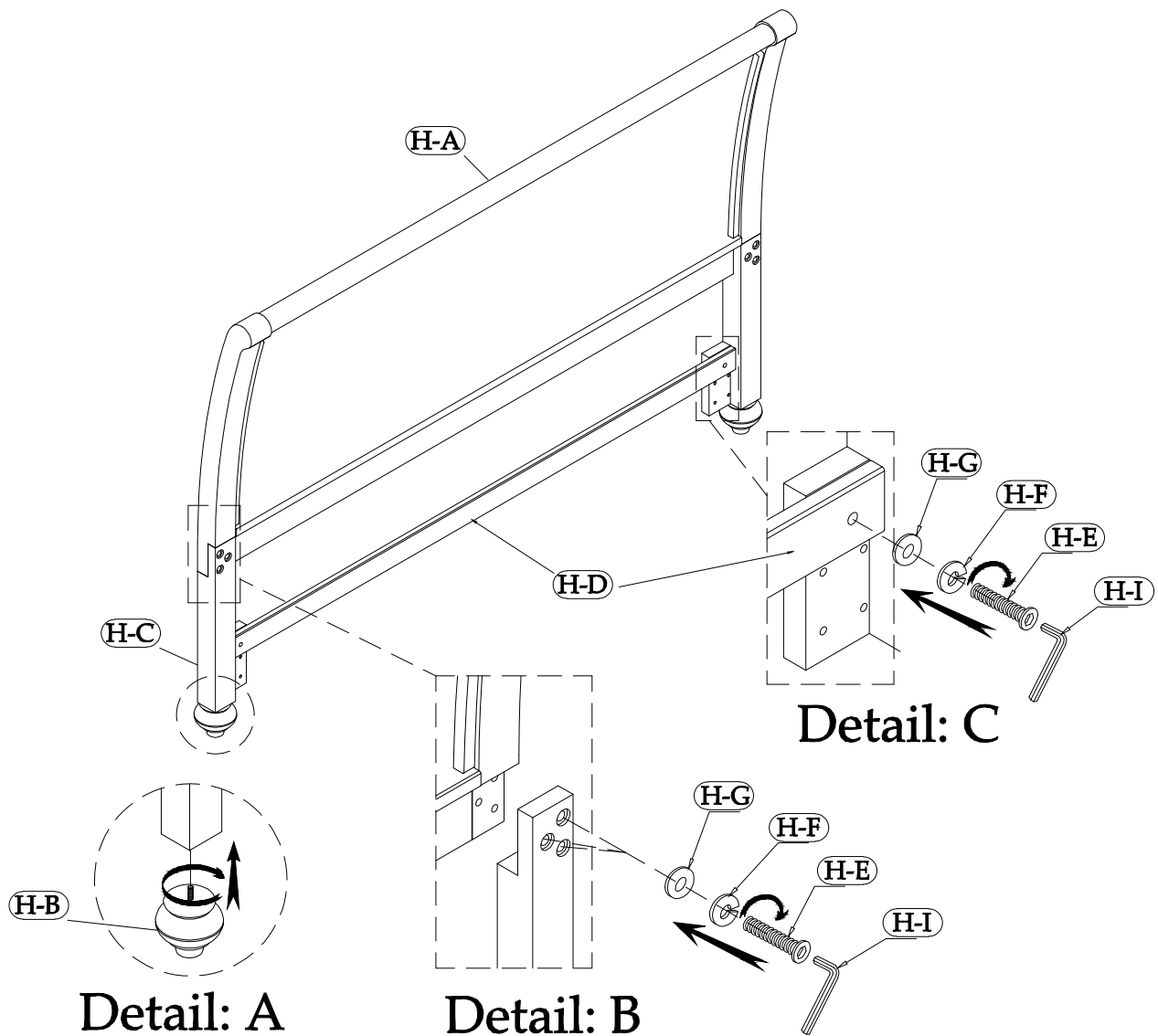
Hardware and Parts packed with the Footboard

<p>Footboard Frame</p>  <p>(F-A) 1 pc.</p>	<p>Footboard Bun Foot</p>  <p>(F-B) 2 pcs.</p>	<p>Slat Support Leg 5" long</p>  <p>(F-C) 4 pcs.</p>	<p>5/0 Wood Slat 61" long</p>  <p>(F-D) 4 pcs.</p>	
<p>#8 x 1" Wood Screw</p>  <p>(F-E) 8 pcs.</p>				

Hardware and Parts packed with the Bed Rails

<p>Queen / Eastern King Bed Rail 81" Long</p> <p>Note: This wood cleat will be used at the upper position for a Storage Bed or at the lower position for a Standard Bed.</p>  <p>(R-A) 2 pcs.</p>	<p>M5/16" x 3-1/2" All-Thread Bolt</p>  <p>(R-B) 8 pcs.</p>	<p>M5/16" Hex Nut</p>  <p>(R-C) 8 pcs.</p>	<p>M5/16" Spring Washer</p>  <p>(R-D) 8 pcs.</p>	<p>M5/16" x 16mm Flat Washer</p>  <p>(R-E) 8 pcs.</p>
	<p>Ø50mm Arc-Washer</p>  <p>(R-F) 8 pcs.</p>	<p>Open Wrench</p>  <p>(R-G) 1 pc.</p>	<p>4mm Allen Wrench</p>  <p>(R-H) 1 pc.</p>	

5/0 Queen Standard Bed
 20270 --5/0 Arch Headboard
 20274 --Bed Rails
 20271 -- 5/0 Footboard with Slats



ASSEMBLY STEPS :

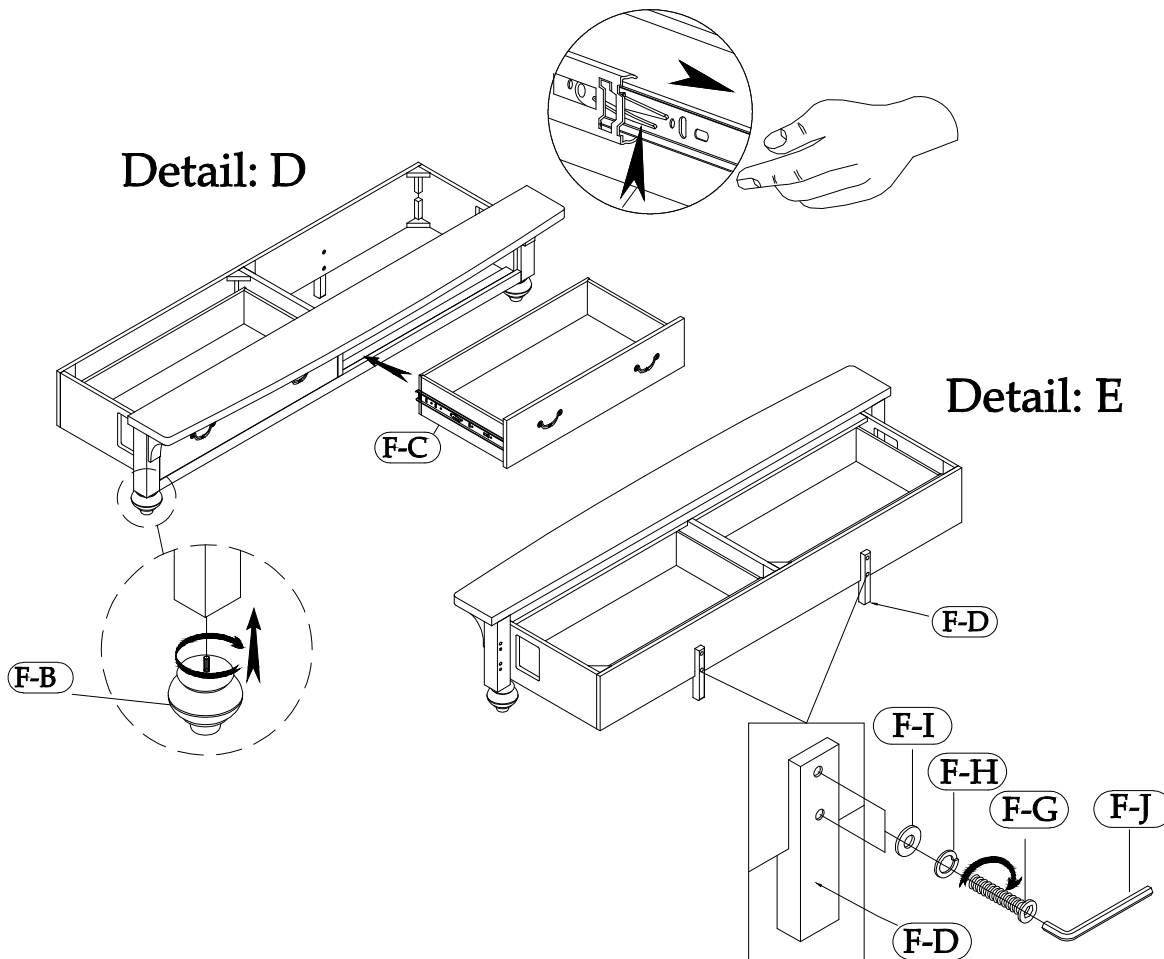
1. Place the Headboard Panel (H-A) face down on a clean and soft surface.
2. Attach the Headboard Bun feet (H-B) to the bottom of the Headboard. (see Detail A).
3. Attach the Left and Right Headboard Posts (H-C) to the back of the Headboard Panel, using the Flat Washers (H-G), Spring Washers (H-F) and Bolts (H-E). Do not fully tighten until after next step. (see Detail B).
4. Attach the Back Stretcher (H-D) to the Headboard Posts using the same Washers and Bolts as previous step. Tighten Bolts connecting Stretcher with the Allen Wrench (H-I). (see Detail C). Tighten Bolts connecting Headboard Posts to Headboard Panel.

Gently lean the back of the assembled Headboard against the wall where the Bed will be located in the room.

To remove the drawer:

- A. Pull the drawer fully open so the black latch is visible in the inside channel of the guides.
- B. Release the latches by simultaneously pushing one lever up and the other down.
- C. At the same time, pulling the drawer forward until the slides release.

Note which opening they are removed from so they can be reinstalled back into the correct opening.



ASSEMBLY STEPS :

1. Remove both drawers from the Storage Footboard. Refer to the steps above.
2. Place the Storage Footboard Frame (F-A) face down on a clean and soft surface.
3. Attach the Footboard Bun feet (F-B) to the bottom of the Footboard.
4. Attach the Drawer Box Support Legs (F-D) using the Flat Washers (F-I), Spring Washers (F-H) and Bolts (F-G). Tighten with the Allen Wrench (F-J).

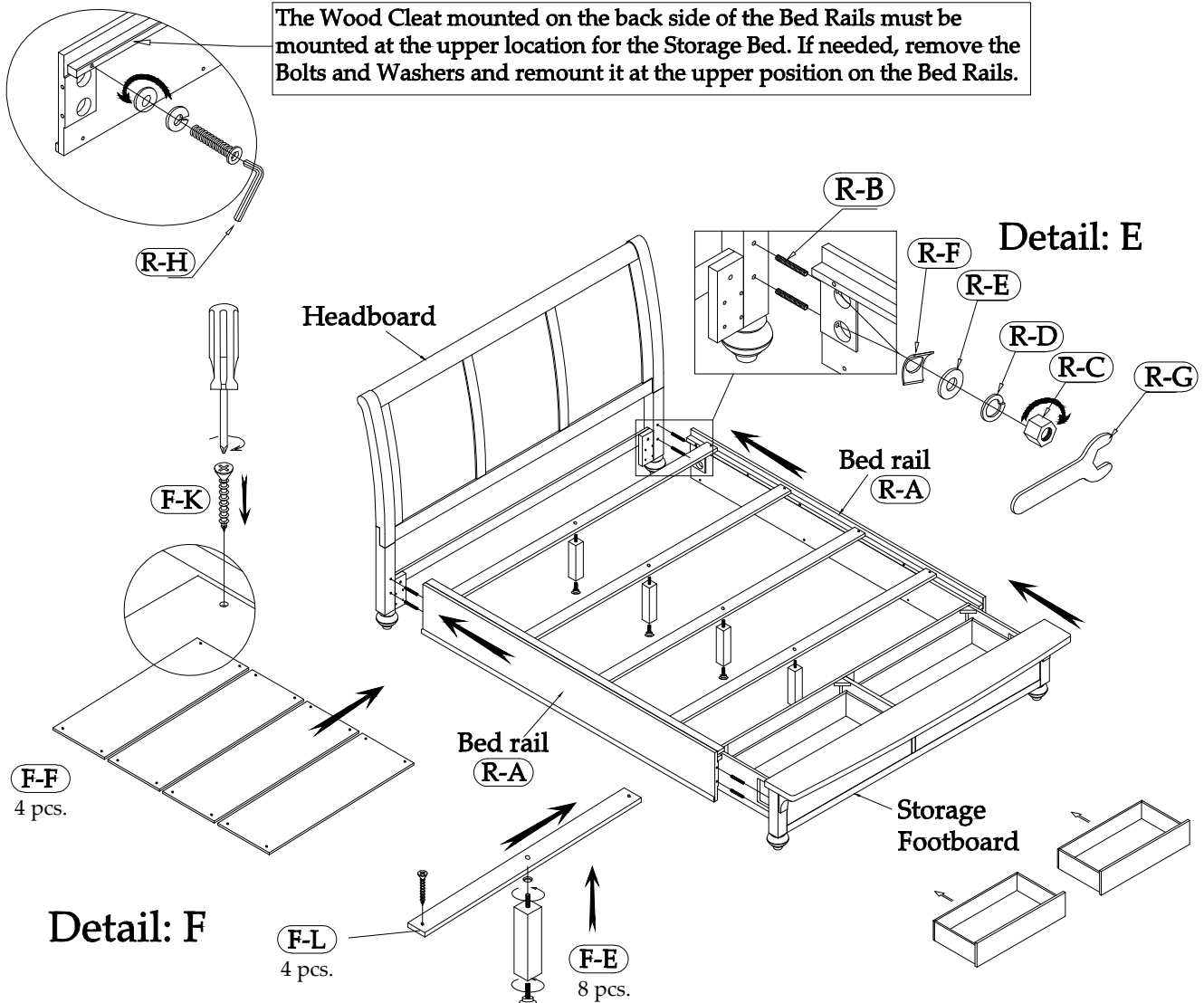
After the Bed has been completely assembled, reinstall the drawers back into the opening from where they were removed by aligning the channels and gently pushing the drawer back into the footboard. Open and close a couple times to verify they are working properly.

ASSEMBLY STEPS :

To prevent possible damage to furniture and personal injury, it is recommended that two people are used to perform the following steps.

5. Install two All-Thread Bolts (R-B) into the metal threaded inserts installed in the Headboard Posts and into the metal inserts on the Storage Footboard.
6. Carefully position one end of one Bed Rail (R-A) onto the All-thread Bolts on the Headboard and connect using the Arc Washers (R-F), Flat Washers (R-E), Spring Washers (R-D), and Hex Nut (R-C). Only partially tighten the Nuts until the Footboard has been connected. Repeat for other Bed Rail.
7. Position and connect the Storage Footboard (F-A) to the other end of the Bed Rails, attaching as in the previous Steps.
8. Carefully align the Storage Footboard to be 'square' with the Headboard. Using the Open Wrench (R-G) tighten all Hex Nuts attaching the Side Rails to the Headboard and Storage Footboard. (See Detail E).
9. Attach the four Support Legs (F-E) to the bottom side of four Wood Slats (F-L). (See Detail F).
10. Using one of the Support Panels (F-F) as a gauge, locate and position the four Slats so there is a Slat underneath, centered at the edge of each Support Panel. Attach using the Wood Screws (F-K) and your Phillips Screwdriver.
11. Position and attach the Support Panels to the Slats using the Wood Screws and your Phillips Screwdriver. The levelers located at the bottom of the Support Legs can be adjusted if necessary to support the panels.
12. Reinstall the Drawers into the Footboard by aligning the metal channels of the guides and push back into the Footboard.

The Wood Cleat mounted on the back side of the Bed Rails must be mounted at the upper location for the Storage Bed. If needed, remove the Bolts and Washers and remount it at the upper position on the Bed Rails.

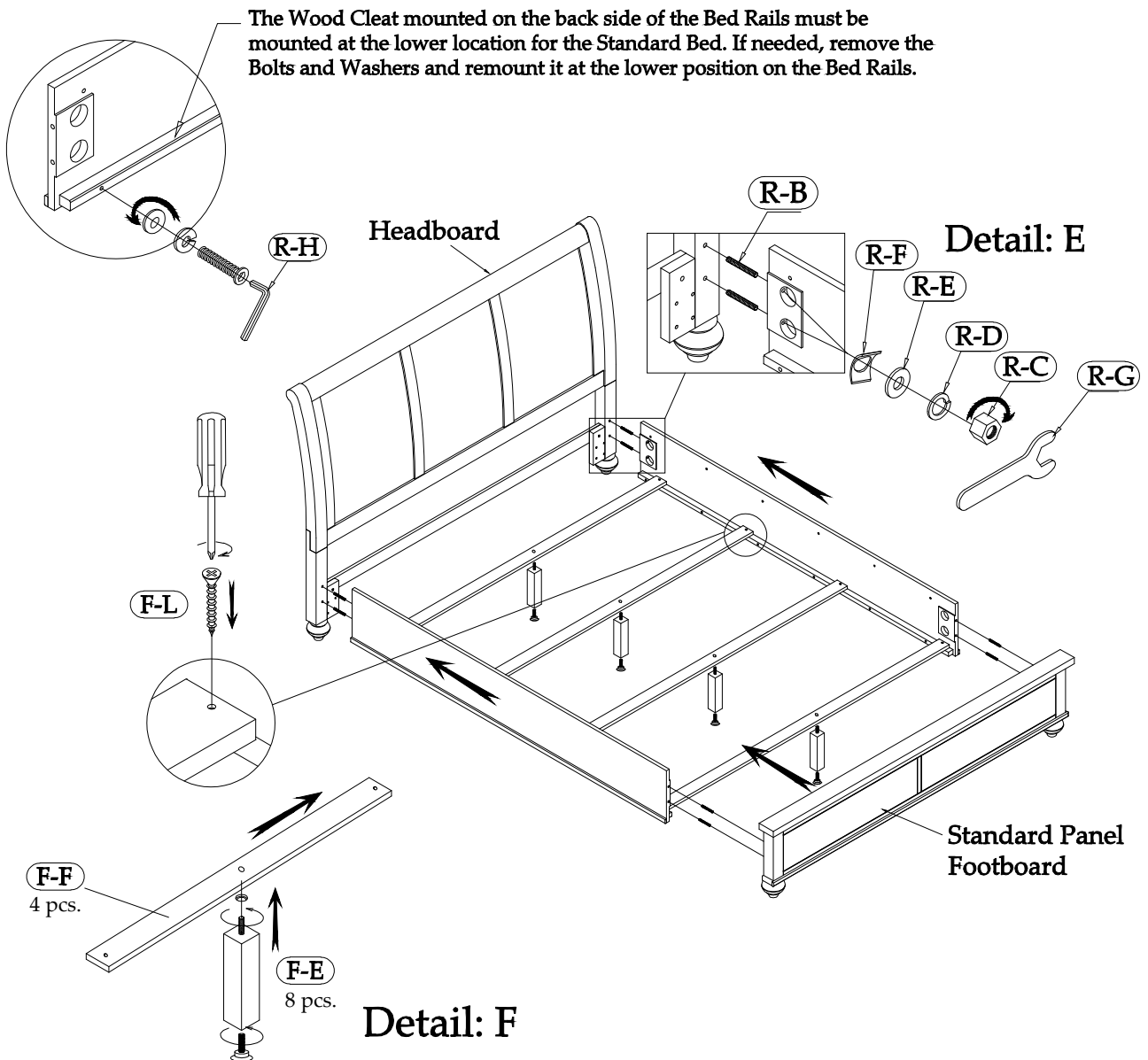


ASSEMBLY STEPS :

To prevent possible damage to furniture and personal injury, it is recommended that two people are used to perform the following steps.

5. Install two All-Thread Bolts (R-B) into the metal threaded inserts installed in the Headboard Posts and into the metal inserts on the Standard Footboard.
6. Carefully position one end of one Bed Rail (R-A) onto the All-thread Bolts on the Headboard and connect using the Arc Washers (R-F), Flat Washers (R-E), Spring Washers (R-D), and Hex Nut (R-C). Only partially tighten the Nuts until the Footboard has been connected. Repeat for other Bed Rail.
7. Position and connect the Footboard (F-A) to the other end of the Bed Rails, attaching as in the previous Steps.
8. Carefully align the Footboard to be 'square' with the Headboard. Using the Open Wrench (R-G) tighten all Hex Nuts attaching the Side Rails to the Headboard and Footboard. (See Detail E).
9. Attach the four Support Legs (F-D) to the bottom side of four Wood Slats (F-E). (See Detail F).
10. Position and attach the Slats to the Bed Rails using the Wood Screws (F-J) and your Phillips Screwdriver.

The levelers located at the bottom of the Support Legs can be adjusted if necessary to support the panels.



5/0 Queen Storage Bed

20270 --4/6-5/0 Sleigh Headboard

20274 --5/0-6/6 Bed Rails

20273 -- 5/0 Storage Footboard

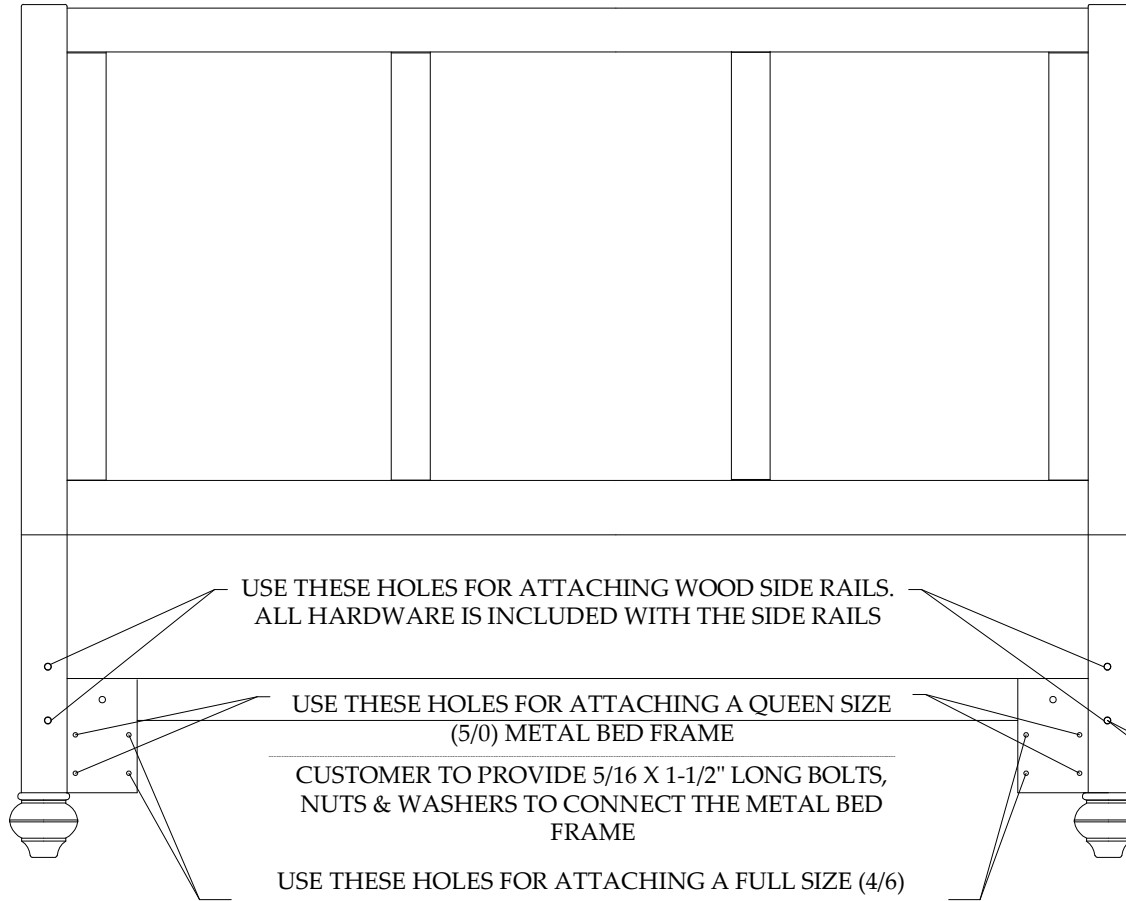
5/0 Queen Standard Bed

20270 --5/0 Sleigh Headboard

20274 --5/0-6/6 Bed Rails

20271 -- 5/0 Footboard with Slats

*The Headboard may be used alone with
a Full or Queen Size
Metal Bed Frame*



CUSTOMER TO PROVIDE 5/16 X 1-1/2" LONG BOLTS, NUTS
& WASHERS TO CONNECT THE METAL BED FRAME

