

Components and Hardware List

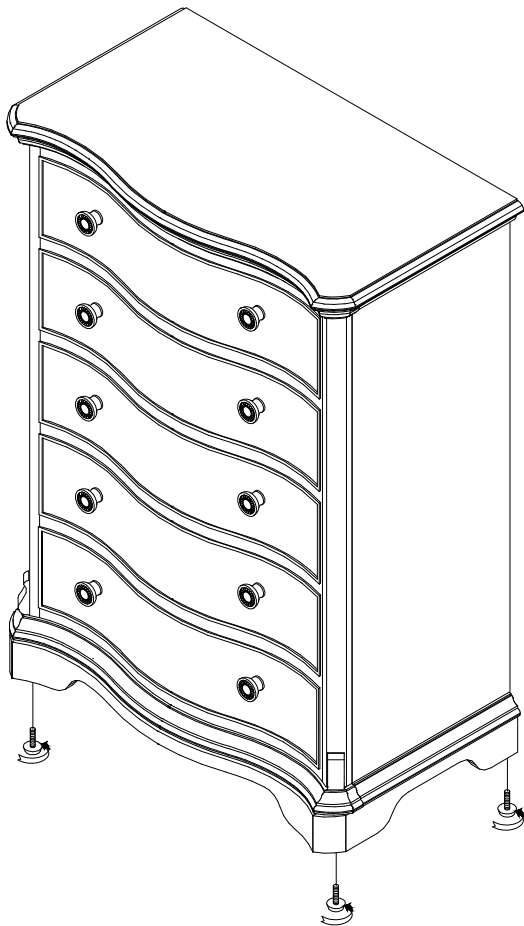
Anti-Tip Restraint Kit
(attached to back of unit)



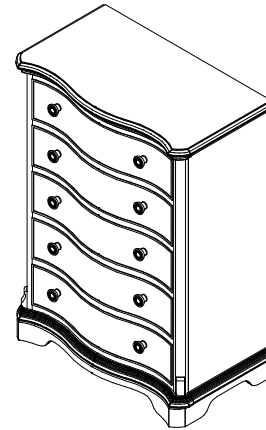
A

1 pc.

Be sure to check all packing material carefully for small parts, which may have come loose inside the carton during shipment.

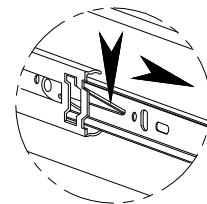


There are Levelers located underneath all four corners, which can be adjusted to compensate for uneven flooring if needed. To adjust, after determining which leveler needs adjusting, carefully have one person tilt the dresser while another person reaches underneath, adjusting the leveler as needed.



21565 & 21765
5-DRAWER CHEST

For product and personal safety, Anti-Tip Restraint kits have been included with this cabinet which can help to minimize the risk of the cabinet accidentally tipping forward, if used and properly installed.



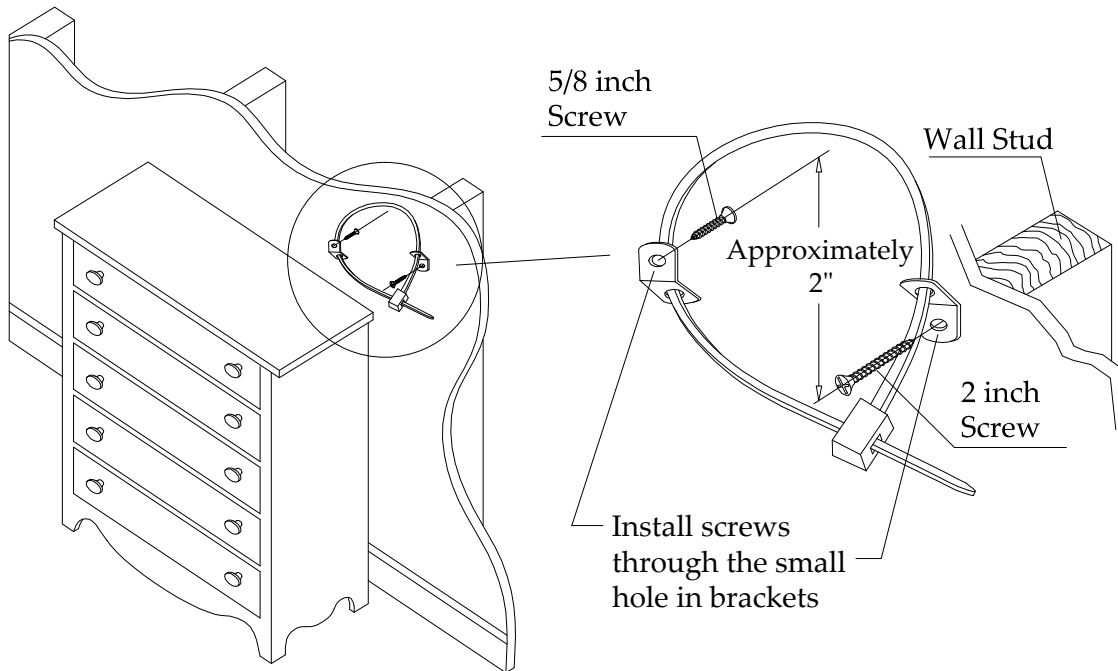
To remove the drawer if it ever becomes necessary:

- Pull the drawer fully open so the black latch is visible in the inside channel of the guides.
- Release the latches by simultaneously pushing one lever up and the other down.
- At the same time, pulling the drawer forward until the slides release.

To reinstall the drawers, carefully align the channels of both guides and push drawer back in until fully closed. Open and close drawer fully a couple times to verify proper operation.

Anti-Tip Hardware Installation Instructions

Notice: Riverside Furniture Corp. recommends that steps be taken for certain furniture items to prevent or minimize the risk of tip-over. This furniture is equipped with Tip-over Restraint Hardware for use to minimize this risk, if used. Please follow below installation steps. Riverside Furniture Corp. recommends that parents and guardians periodically visit the U.S. Consumer Product Safety Commission (CPSC) website at <http://www.cpsc.gov/> and stay up to date on all issues related to children's product safety.



1. Temporarily locate the furniture to near it's final location in the room next to a wall. Locate a wall stud behind your furniture and also mark the stud's location on the back of your furniture.
2. Firmly attach one bracket to the stud approximately 2" below the top of the furniture with the **2 inch long** Wood Screws provided. It may be necessary to drill 3/32 dia. pilot holes for the screws.
3. Firmly attach the other bracket onto a solid, structural part on the back of the furniture using the **5/8 inch long** Wood Screws. It may also be necessary to pilot bore for these screws.
4. Move the furniture into its final position, taking care to line up the wall bracket with the furniture bracket. Thread a strap through the bracket as shown in the illustration. Tighten strap until snug but do not over tighten.

Caution: Riverside Furniture Corp. assumes no liability for improper installation or excessive loads placed on screws, brackets or straps. Failure to detach this restraint before moving furniture may result in personal injury and property damage.

Warning: This tip-over restraint is not to be a substitute for proper adult supervision. Do not allow children to climb on furniture. Items left on top of the TV and furniture, such as toys, remote controls and treats might tempt young children to climb. Push the TV as far back as possible from the front of its stand. Place electrical cords out of a child's reach, and teach children not to play with the cords.