
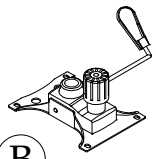
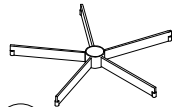
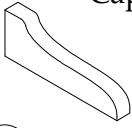

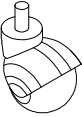
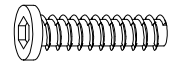





28027, 28127, 28227

## Components and Hardware List

<b>Chair Seat &amp; Back</b>  <b>A</b> 1 pc.	<b>Seat Control</b>  <b>B</b> 1 pc.	<b>Metal Base Frame</b>  <b>C</b> 1 pc.	<b>Wood Base Cap</b>  <b>D</b> 5 pcs.	<b>Pneumatic Cylinder &amp; Cover</b>  <b>E</b> 1 pc.
<b>Caster</b>  <b>F</b> 5 pcs.	$\frac{5}{16}$ -18 x 25mm Allen Head Bolt  <b>G</b> 4 pcs.	$\frac{5}{16}$ " x 12 x 2mm Spring Washer  <b>H</b> 4 pcs.	$\frac{5}{16}$ " x 19 x 2mm Flat Washer  <b>I</b> 4 pcs.	<b>4mm Allen key</b>  <b>J</b> 1 pc.

Be sure to check all packing material carefully for small parts, which may have come loose inside the carton during shipment. Separate, count and check all parts against the Parts List and Hardware List above.

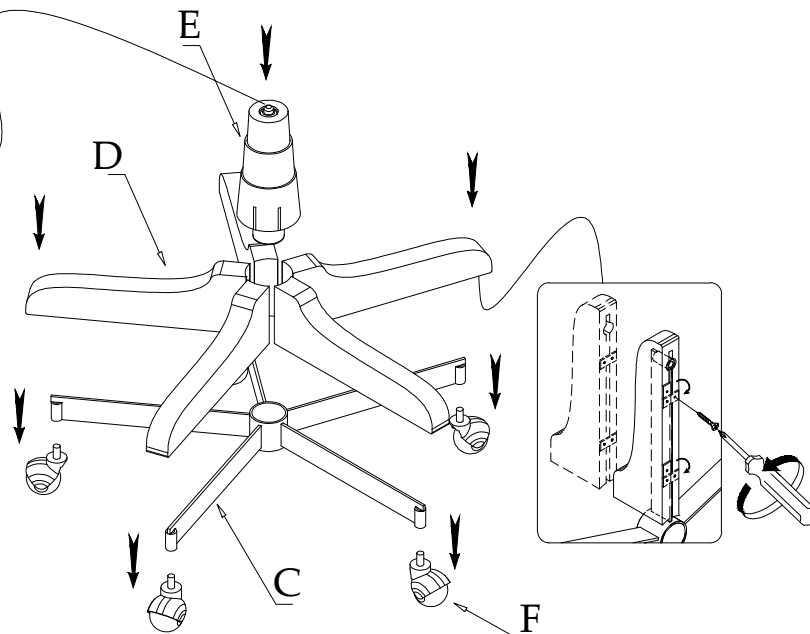
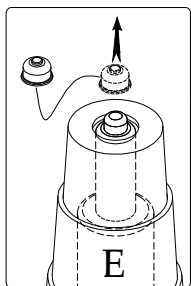
To prevent possible scratches, assemble on a soft surface such as a blanket or carpet.

**Step 1:** Fit the bottom end of the Pneumatic Cylinder (E) into center of the Metal Base Frame as shown. Press down firmly on the Pneumatic Cylinder to secure. Place the plastic Covers onto the cylinder.

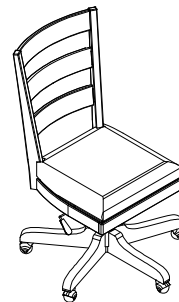
**Step 2:** Press the Casters (F) into the holes of the Metal Base Frame.

**Step 3:** Using your Phillips screwdriver, remove the screw from one end of each metal strap attached on the bottom side of each Wood Base Cap (D). Pivot the metal strap 90 degrees and place the Wood Base Cap on top of each leg of the Metal Base Frame. Pivot the metal strap back across the Wood Base Cap and reattach with the Screw and your Phillips Screwdriver. Repeat for all Wood Base Caps.

If present, remove the plastic cover from the top end of the cylinder before assembling to seat.



**TOOLS REQUIRED  
(NOT PROVIDED)**



28027, 28127, 28227

Step 4: Attach the Seat Control (B) to the bottom of the Chair Seat & Back (A) with Flat Washers (I), Spring Washers (H) and Allen Head Bolts (G) as shown. Tighten with the Allen Key.

Step 5: Fit the top of the Pneumatic Cylinder into the Seat Control. Sit on the seat to secure assembly.

Note: To prevent possible damage to some types of flooring, never roll casters on unprotected hardwood or vinyl flooring.

The lift mechanism is in a locked position for shipping. To unlock, pull straight out on the handle, and then the lift cylinder can be activated by lifting the handle.

